

BALDOR • RELIANCE

Customer information packet

VEM3542-5

0.75HP, 1765RPM, 3PH, 60HZ, 56C, 3514M, TEFC, F

Class - None

Division - Not Applicable

Copyright © All product information within this document is subject to ABB Motors and Mechanical Inc. copyright © protection, unless otherwise noted.

11/24/2024 10:27:25 PM

Specifications

Enclosure	TEFC
Frame	56C
Frame Material	Steel
Frequency	60.00 Hz
Haz Area Class and Group	None
Haz Area Division	Not Applicable
Motor Letter Type	Three Phase
Output @ Frequency	.750 HP @ 60 HZ
Phase	3
Synchronous Speed @ Frequency	1800 RPM @ 60 HZ
Voltage @ Frequency	575.0 V @ 60 HZ
Agency Approvals	UR CSA
Ambient Temperature	40 °C
Auxillary Box	No Auxillary Box
Auxillary Box Lead Termination	None
Base Indicator	No Mounting
Bearing Grease Type	Polyrex EM (-20F +300F)
Blower	None
Current @ Voltage	.960 A @ 575.0 V
Design Code	B
Drip Cover	No Drip Cover
Duty Rating	CONT
Efficiency @ 100% Load	82.5 %
Electrically Isolated Bearing	Not Electrically Isolated
Feedback Device	NO FEEDBACK
Front Shaft Indicator	None
Heater Indicator	No Heater
High Voltage Full Load Amps	1.0 a
Insulation Class	F
Inverter Code	Inverter Ready
IP Rating	NONE

Part detail

Revision	D
Type	AC
Mech. spec.	35J302
Base	
Status	PRD/A
Elec. spec.	35WGG123
Layout	35LYJ302
Eff. date	04-30-2024
CD Diagram	CD0006
Poles	04
Leads	3#18
Proprietary	False
Created date	03-11-2022

KVA Code	K
Lifting Lugs	No Lifting Lugs
Locked Bearing Indicator	Locked Bearing
Motor Lead Quantity/Wire Size	3 @ 18 AWG
Motor Lead Termination	Flying Leads
Motor Standards	NEMA
Motor Type	3514M
Mounting Arrangement	F1
Number of Poles	4
Overall Length	12.23 IN
Power Factor	71
Product Family	General Purpose
Pulley End Bearing Type	Ball
Pulley Face Code	C-Face
Pulley Shaft Indicator	Standard
Rodent Screen	None
Service Factor	1.25
Shaft Diameter	0.625 IN
Shaft Ground Indicator	No Shaft Grounding
Shaft Rotation	Reversible
Shaft Slinger Indicator	No Slinger
Speed	1765 rpm
Speed Code	Single Speed
Starting Method	Direct on line
Thermal Device - Bearing	None
Thermal Device - Winding	None
Vibration Sensor Indicator	No Vibration Sensor
Winding Thermal 1	None
Winding Thermal 2	None

Nameplate

NP2116L									
CAT.NO.	VEM3542-5								
SPEC.	35J302G123G1								
HP	0.75								
VOLTS	575								
AMP	0.93								
RPM	1765								
FRAME	56C			HZ	60		PH	3	
SER.F.	1.25	CODE	K	DES	B	CL	F		
NEMA-NOM-EFF	82.5	PF	73						
RATING	40C AMB-CONT								
CC									
DE	6205	ODE	6203						
ENCL	TEFC	SN							
	SFA 1.1								

Parts list

Part number	Description	Quantity
SA409080	SA 35J302G123G1	1.000 ea
RA400626	RA 35J302G123G1	1.000 ea
35CB3007	35 CB CASTING W/.88 DIA. LEAD HOLE	1.000 ea
36GS1000SP	GASKET-CONDUIT BOX, .06 THICK #SV-330 LE	1.000 ea
51XB1016A07	10-16 X 7/16 HXWSSLD SERTYB	2.000 ea
11XW1032G06	10-32 X .38, TAPTITE II, HEX WSHR SLTD U	1.000 ea
35EP3122K00	MASTER ODE,203 BRG,.683SH,#26 DRN,FH MTG	1.000 ea
HW5100A03	WAVY WASHER (W1543-017)	1.000 ea
35EP3307F00	MASTER DE,205 BRG,.998SH,#26 DRN	1.000 ea
51XN1032A20	10-32 X 1 1/4 HX WS SL SR	2.000 ea
51XB1214A16	12-14X1.00 HXWSSLD SERTYB	1.000 ea
35FH4005A32SP	IEC FH NO GRSR W/3 HOLES - PRIMED	1.000 ea
51XW1032A06	10-32 X .38, TAPTITE II, HEX WSHR SLTD S	3.000 ea
35CB4521GX	CONDUIT BOX LID KIT **ORDER INDIV PARTS	1.000 ea
51XW0832A07	8-32 X .44, TAPTITE II, HEX WSHR SLTD SE	4.000 ea
HW2501D13	KEY, 3/16 SQ X 1.375	1.000 ea
HA7000A04	KEY RETAINER 0.625 DIA SHAFTS	1.000 ea
85XU0407S04	4X1/4 U DRIVE PIN STAINLESS	2.000 ea
MJ1000A02	GREASE, POLYREX EM EXXON	0.050 lb
MG1050Y01	CELEROL BALDOR GOLD *** NLA IN 5 GALLON	0.017 ga
HA3100A12	THRUBOLT 10-32 X 7.375	4.000 ea
LB1624	COMBINED WARNING LABEL, ISO/ANSI PICTOGR	1.000 ea
NP2116L	ALUM SUPER-E UL CC	1.000 ea
35PA1066	PKG GRP, PRINT PK1008A06	1.000 ea
PK3082	STYROFOAM CRADLE	1.000 ea
MN416A01	TAG-INSTAL-MAINT no wire (2500bx)4/22	1.000 ea
FE-0000001	ZRTG FE ASSEMBLY	1.000 ea
PE-0000001	ZRTG PE ASSEMBLY	1.000 ea

AC Induction Motor Performance Data

Record # 82203

Typical performance - not guaranteed values

Winding: 35WGG123-R002		Type: 3514M		Enclosure: TEFC	
Nameplate Data			575 V, 60 Hz: Single Voltage Motor		
Rated Output (HP)		.75	Full Load Torque		2.25 LB-FT
Volts		575	Start Configuration		direct on line
Full Load Amps		.91	Breakdown Torque		7.36 LB-FT
R.P.M.		1765	Pull-up Torque		4.05 LB-FT
Hz	60 Phase	3	Locked-rotor Torque		4.68 LB-FT
NEMA Design Code	B KVA Code	K	Starting Current		6.16 A
Service Factor (S.F.)		1.25	No-load Current		0.589 A
NEMA Nom. Eff.	82.5 Power Factor	74	Line-line Res. @ 25°C		50.2 Ω
Rating - Duty	40C AMB-CONT		Temp. Rise @ Rated Load		24°C
S.F. Amps		1.07	Temp. Rise @ S.F. Load		32°C
			Locked-rotor Power Factor		65.3
			Rotor inertia		0.101 lb-ft ²

Load Characteristics 575 V, 60 Hz, 0.75 HP

% of Rated Load	25	50	75	100	125	150	S.F.
Power Factor	34	52	65	74	80	83	80
Efficiency	71.1	80.8	83.1	83.6	82.8	81	82.8
Speed	1790	1782	1773	1763	1753	1740	1753
Line amperes	0.61	0.682	0.782	0.913	1.07	1.26	1.07

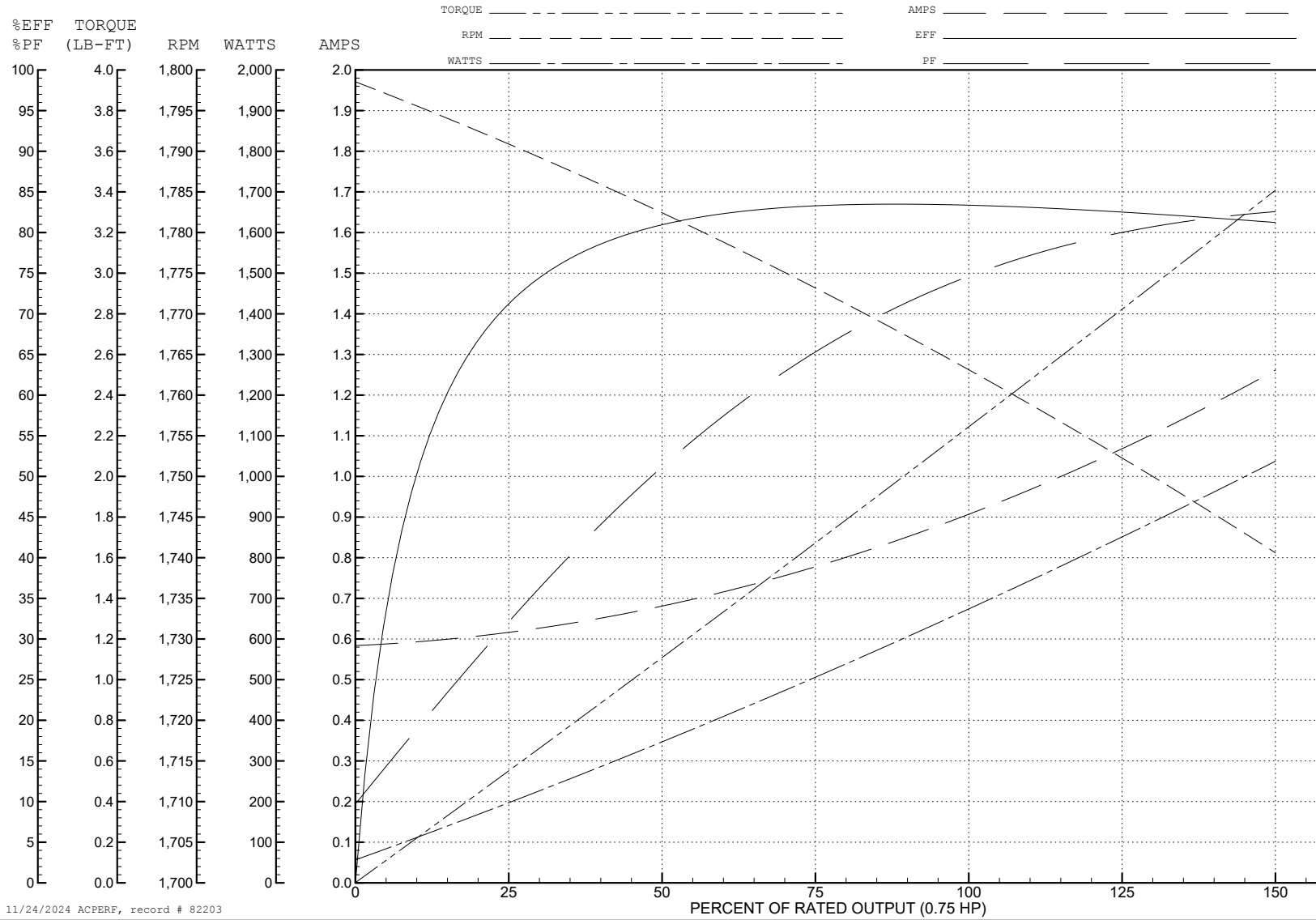
ABB Motors and Mechanical Inc.

WINDING # 35WGG123

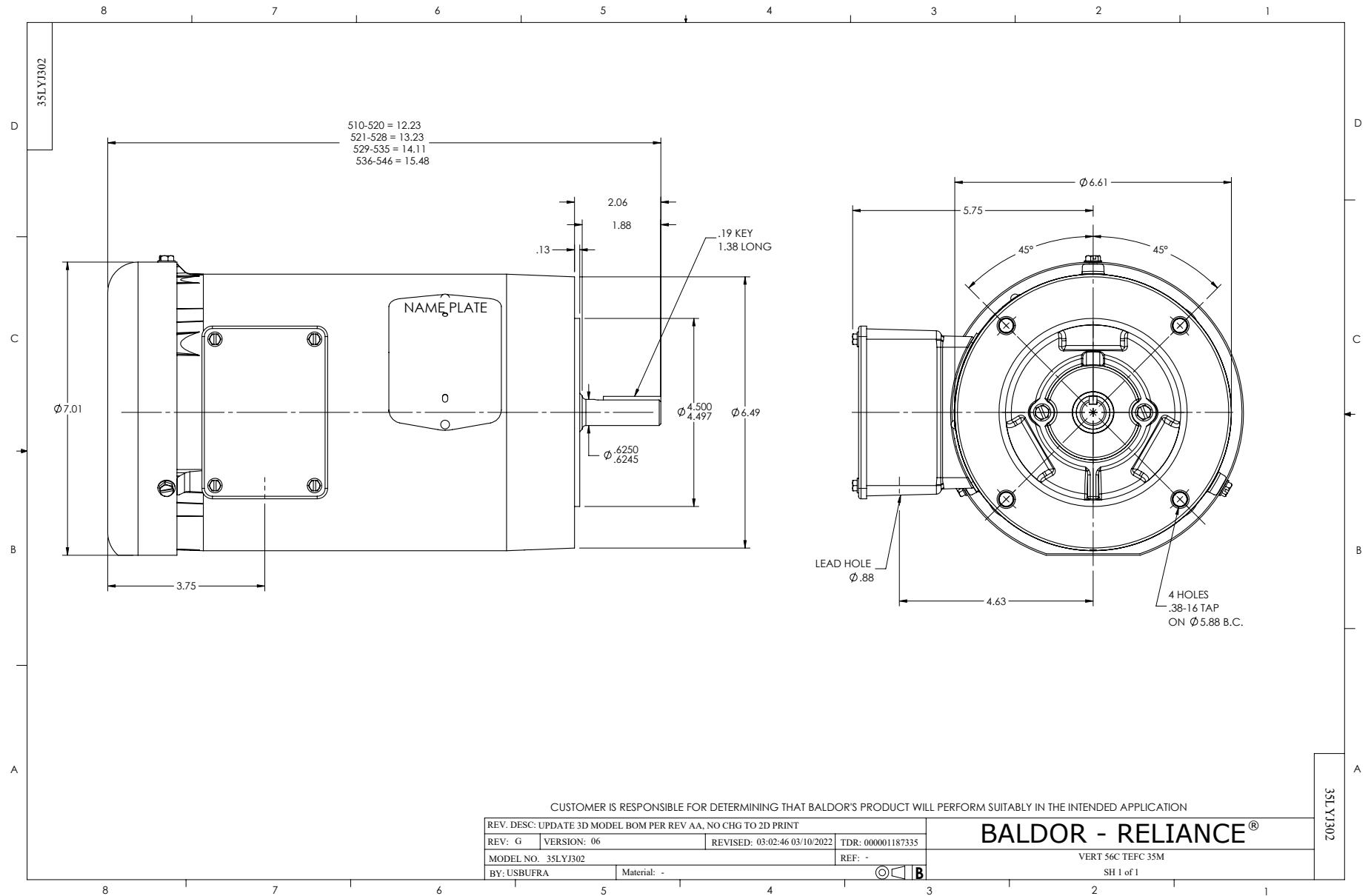
0.75 HP 3 PH 60 HZ 1765 RPM 575 V 3514M

Typical performance - not guaranteed values.

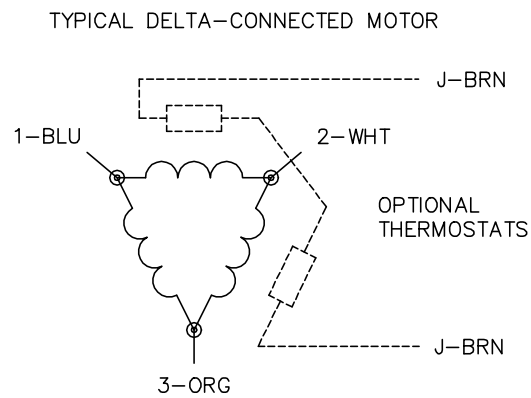
TORQUES (LB-FT): PO=7.36 PU=4.05 LR=4.68 LRA=6.16



11/24/2024 ACPERF, record # 82203



CD0006



NOTES:

1. THREE LEAD MOTOR MAY BE EITHER WYE CONNECTED OR DELTA CONNECTED.
2. INTERCHANGE ANY TWO LINE LEADS TO REVERSE ROTATION.
3. OPTIONAL THERMOSTATS ARE PROVIDED WHEN SPECIFIED.
4. ACTUAL NUMBER OF INTERNAL PARALLEL CIRCUITS MAY VARY.
5. LEAD COLORS ARE OPTIONAL. LEADS MUST BE NUMBERED AS SHOWN.

CD0006

REV. DESC: ADD CLASS CONN00000007		
REV. LTR: E	VERSION: 01	TDR: 000001099922
FILE: \AAA\00005\141	REVISED: 10:24:49 02/19/2019	BY: ENBRIRO
MTL: -	© □	

BALDOR - RELIANCE®

3PH, SV, 3 LEADS, WYE OR DELTA CONNECTED

SH 1 of 1