



---

# Customer information packet

## VEM3546-5

1HP, 1774RPM, 3PH, 60HZ, 56C, 3522M, TEFC, F1, N

Class - None

Division - Not Applicable

## Specifications

Enclosure	TEFC
Frame	56C
Frame Material	Steel
Frequency	60.00 Hz
Haz Area Class and Group	None
Haz Area Division	Not Applicable
Motor Letter Type	Three Phase
Output @ Frequency	1.000 HP @ 60 HZ
Phase	3
Synchronous Speed @ Frequency	1800 RPM @ 60 HZ
Voltage @ Frequency	575.0 V @ 60 HZ
Agency Approvals	CSA EEV NEMA PREMIUM NEMA_PREMIUM UR
Ambient Temperature	40 °C
Auxillary Box	No Auxillary Box
Auxillary Box Lead Termination	None
Base Indicator	No Mounting
Bearing Grease Type	Polyrex EM (-20F +300F)
Blower	None
Current @ Voltage	1.300 A @ 575.0 V
Design Code	B
Drip Cover	No Drip Cover
Duty Rating	CONT
Efficiency @ 100% Load	85.5 %
Electrically Isolated Bearing	Not Electrically Isolated
Feedback Device	NO FEEDBACK
Front Shaft Indicator	None
Heater Indicator	No Heater
High Voltage Full Load Amps	1.3 a
Insulation Class	F

## Part detail

Revision	G
Type	AC
Mech. spec.	35A013
Base	
Status	PRD/A
Elec. spec.	35WGG119
Layout	35LYA013
Eff. date	04-29-2024
CD Diagram	CD0006
Poles	04
Leads	3#18
Proprietary	False
Created date	10-01-2021

Inverter Code	Inverter Ready
KVA Code	M
Lifting Lugs	No Lifting Lugs
Locked Bearing Indicator	Locked Bearing
Motor Lead Quantity/Wire Size	3 @ 18 AWG
Motor Lead Termination	Flying Leads
Motor Standards	NEMA
Motor Type	3522M
Mounting Arrangement	F1
Number of Poles	4
Overall Length	13.22 IN
Power Factor	70
Product Family	General Purpose
Pulley End Bearing Type	Ball
Pulley Face Code	C-Face
Pulley Shaft Indicator	Standard
Rodent Screen	None
RoHS Status	ROHS COMPLIANT
Service Factor	1.15
Shaft Diameter	0.625 IN
Shaft Ground Indicator	No Shaft Grounding
Shaft Rotation	Reversible
Shaft Slinger Indicator	No Slinger
Speed	1775 rpm
Speed Code	Single Speed
Starting Method	Direct on line
Thermal Device - Bearing	None
Thermal Device - Winding	None
Vibration Sensor Indicator	No Vibration Sensor
Winding Thermal 1	None
Winding Thermal 2	None

**Nameplate**

**NP3441L**

<b>CAT.NO.</b>	VEM3546-5						
<b>SPEC.</b>	35A013G119G1						
<b>HP</b>	1						
<b>VOLTS</b>	575						
<b>AMP</b>	1.3						
<b>RPM</b>	1775						
<b>FRAME</b>	56C		<b>HZ</b>	60		<b>PH</b>	3
<b>SER.F.</b>	1.15	<b>CODE</b>	M	<b>DES</b>	B	<b>CL</b>	F
<b>NEMA-NOM-EFF</b>	85.5	<b>PF</b>	70				
<b>RATING</b>	40C AMB-CONT						
<b>CC</b>	010A						
<b>DE</b>	6205		<b>ODE</b>	6203			
<b>ENCL</b>	TEFC	<b>SN</b>					
<b>VPWM INVERTER READY</b>							
<b>CT6-60H(10:1)VT3-60H(20:1</b>							
	SFA 1.4						

## Parts list

Part number	Description	Quantity
SA398827	SA 35A013G119G1	1.000 ea
RA389848	RA 35A013G119G1	1.000 ea
34FN3002B01	EXTERNAL FAN, PLASTIC, .637/.639 HUB W/	1.000 ea
NS2512A01	INSULATOR, CONDUIT BOX X	1.000 ea
35CB3007	35 CB CASTING W/.88 DIA. LEAD HOLE	1.000 ea
36GS1000SP	GASKET-CONDUIT BOX, .06 THICK #SV-330 LE	1.000 ea
51XB1016A07	10-16 X 7/16 HXWSSLD SERTYB	2.000 ea
11XW1032G06	10-32 X .38, TAPTITE II, HEX WSHR SLTD U	1.000 ea
35EP3122K00	MASTER ODE,203 BRG,.683SH,#26 DRN,FH MTG	1.000 ea
HW5100A03	WAVY WASHER (W1543-017)	1.000 ea
35EP3307F00	MASTER DE,205 BRG,.998SH,#26 DRN	1.000 ea
51XN1032A20	10-32 X 1 1/4 HX WS SL SR	2.000 ea
51XB1214A16	12-14X1.00 HXWSSLD SERTYB	1.000 ea
35FH4005A32SP	IEC FH NO GRSR W/3 HOLES - PRIMED	1.000 ea
51XW1032A06	10-32 X .38, TAPTITE II, HEX WSHR SLTD S	3.000 ea
35CB4521GX	CONDUIT BOX LID KIT **ORDER INDIV PARTS	1.000 ea
51XW0832A07	8-32 X .44, TAPTITE II, HEX WSHR SLTD SE	4.000 ea
85XU0407S04	4X1/4 U DRIVE PIN STAINLESS	2.000 ea
MJ1000A02	GREASE, POLYREX EM EXXON	0.050 lb
MG1050Y01	CELEROL BALDOR GOLD *** NLA IN 5 GALLON	0.017 ga
HA3100A15	THRUBOLT 10-32 X 8.375	4.000 ea
LC0006	CONNECTION LABEL	1.000 ea
LB1624	COMBINED WARNING LABEL, ISO/ANSI PICTOGR	1.000 ea
NP3441L	ALUM SUPER-E VPWM INVERTER READY UL EEV	1.000 ea
35PA1066	PKG GRP, PRINT PK1008A06	1.000 ea
PK3082	STYROFOAM CRADLE	1.000 ea
MN416A01	TAG-INSTAL-MAINT no wire (2500bx)4/22	1.000 ea
HW2501D13	KEY, 3/16 SQ X 1.375	1.000 ea
HA7000A04	KEY RETAINER 0.625 DIA SHAFTS	1.000 ea
FE-0000001	ZRTG FE ASSEMBLY	1.000 ea
PE-0000001	ZRTG PE ASSEMBLY	1.000 ea

**AC Induction Motor Performance Data**

Record # 99012

Typical performance - not guaranteed values

<b>Winding: 35WGG119-R001</b>		<b>Type: 3522M</b>		<b>Enclosure: TEFC</b>	
<b>Nameplate Data</b>			<b>575 V, 60 Hz: Single Voltage Motor</b>		
<b>Rated Output (HP)</b>		1	<b>Full Load Torque</b>		2.99 LB-FT
<b>Volts</b>		575	<b>Start Configuration</b>		direct on line
<b>Full Load Amps</b>		1.3	<b>Breakdown Torque</b>		13.4 LB-FT
<b>R.P.M.</b>		1775	<b>Pull-up Torque</b>		6.8 LB-FT
<b>Hz</b>	60 Phase	3	<b>Locked-rotor Torque</b>		8.3 LB-FT
<b>NEMA Design Code</b>	B KVA Code	M	<b>Starting Current</b>		10.9 A
<b>Service Factor (S.F.)</b>		1.15	<b>No-load Current</b>		0.87 A
<b>NEMA Nom. Eff.</b>	85.5 Power Factor	70	<b>Line-line Res. @ 25°C</b>		30.1 Ω
<b>Rating - Duty</b>		40C AMB-CONT	<b>Temp. Rise @ Rated Load</b>		36°C
<b>S.F. Amps</b>		1.4	<b>Temp. Rise @ S.F. Load</b>		42°C
			<b>Locked-rotor Power Factor</b>		63.4
			<b>Rotor inertia</b>		0.159 lb-ft <sup>2</sup>

**Load Characteristics 575 V, 60 Hz, 1 HP**

<b>% of Rated Load</b>	<b>25</b>	<b>50</b>	<b>75</b>	<b>100</b>	<b>125</b>	<b>150</b>	<b>S.F.</b>
<b>Power Factor</b>	31	48	61	70	76	80	74
<b>Efficiency</b>	72.1	81.6	84.9	85.8	85.7	85	85.7
<b>Speed</b>	1794	1787	1781	1774	1767	1758	1770
<b>Line amperes</b>	0.89	0.97	1.1	1.26	1.44	1.65	1.37

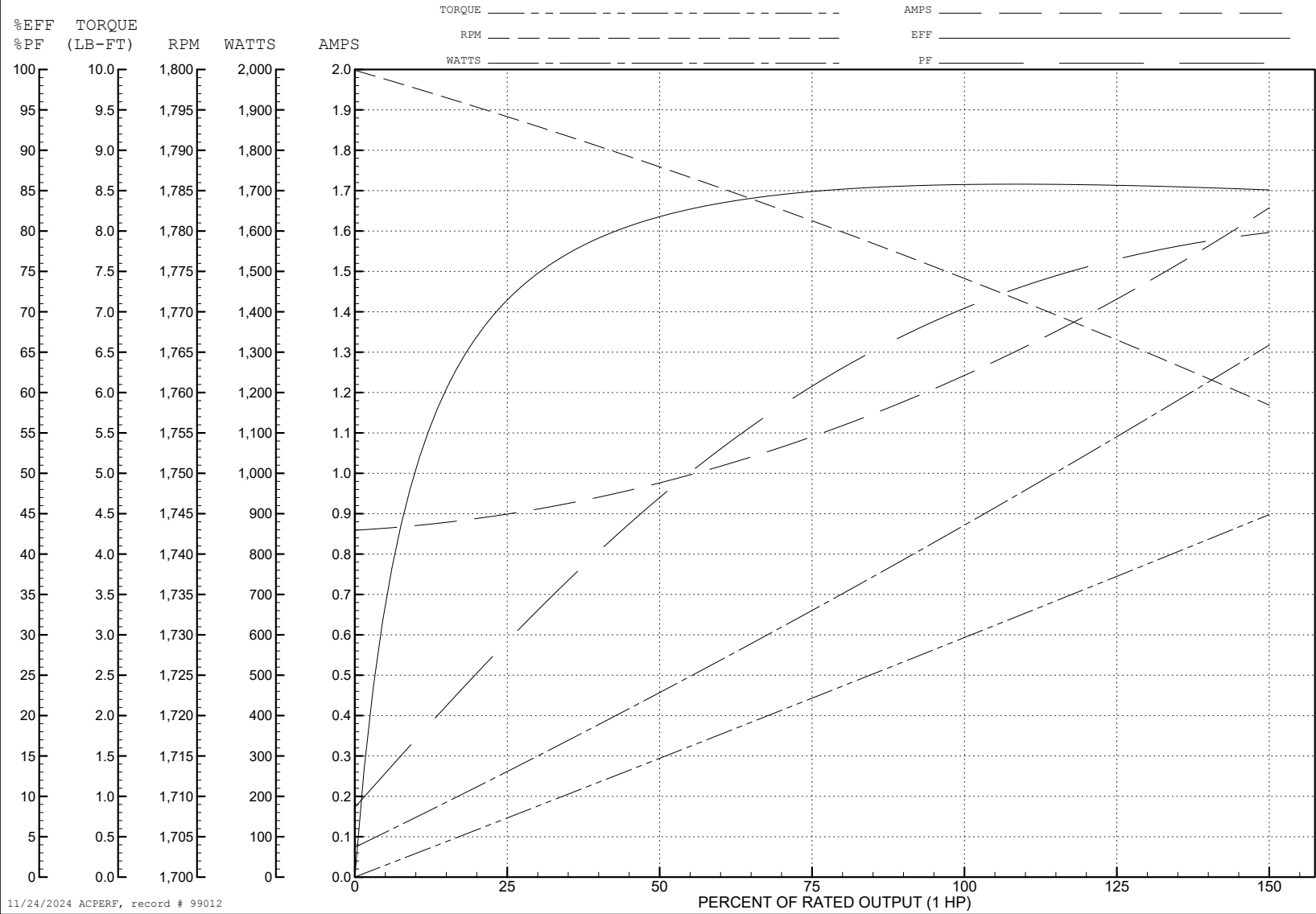
ABB Motors and Mechanical Inc.

WINDING # 35WGG119

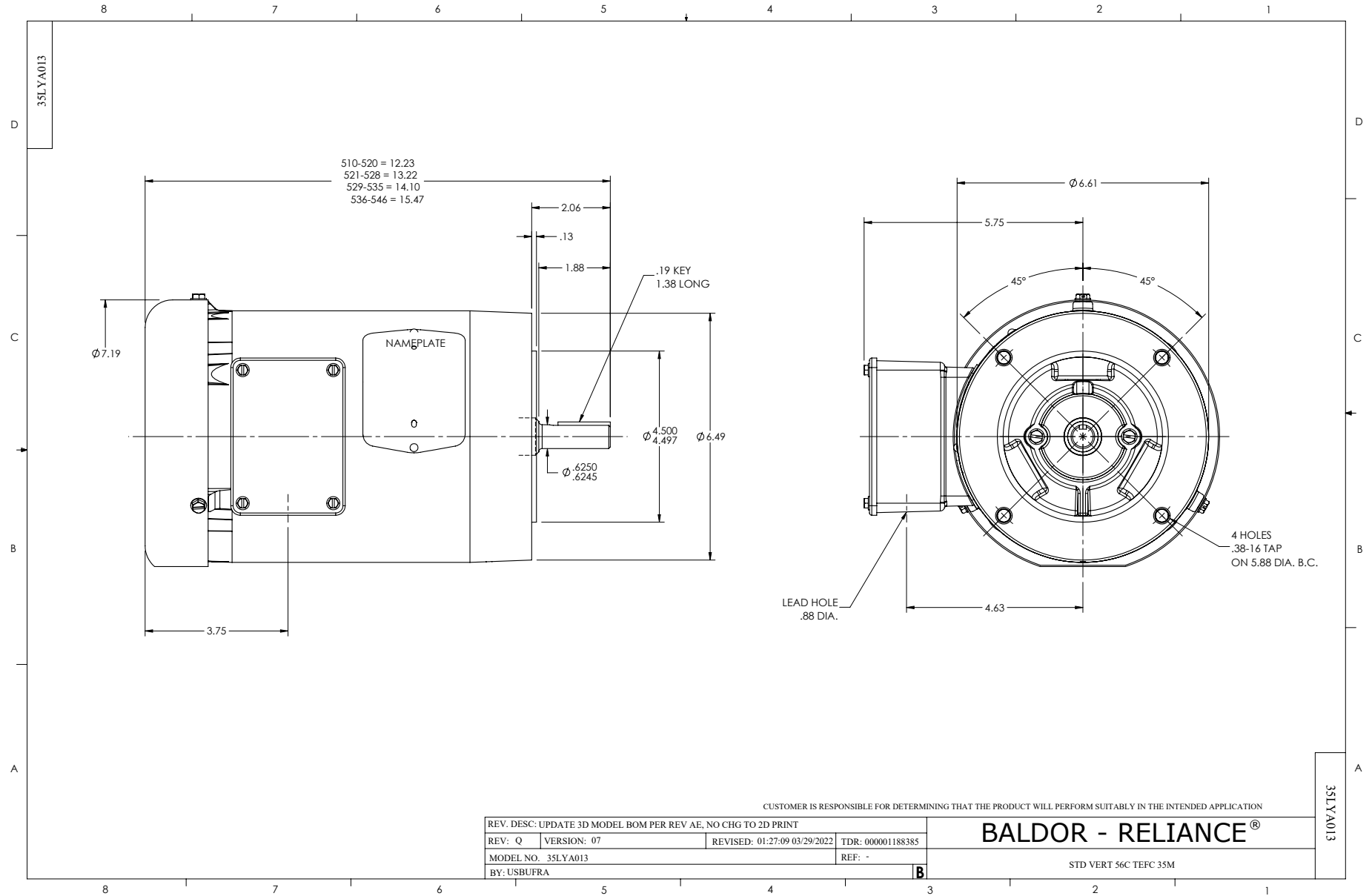
Typical performance - not guaranteed values.

1 HP 3 PH 60 HZ 1775 RPM 575 V 3522M

TORQUES (LB-FT): PO=13.4 PU=6.8 LR=8.3 LRA=10.9

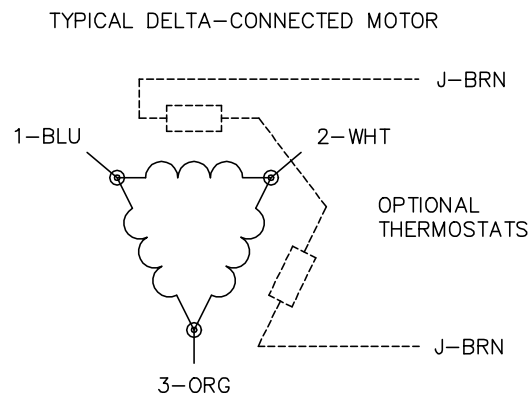
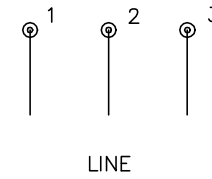
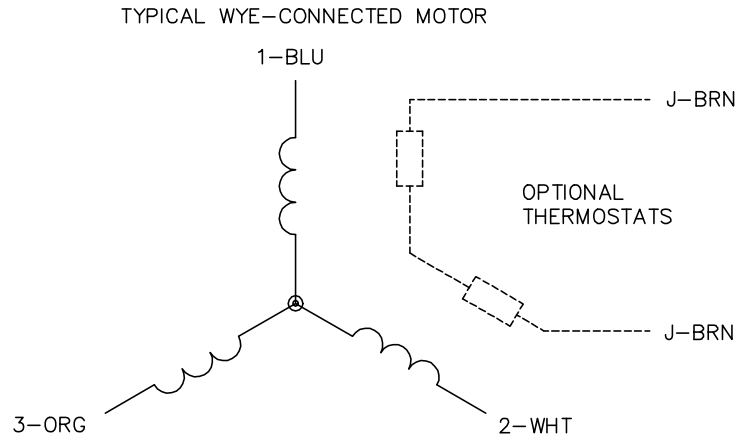


11/24/2024 ACPERF, record # 99012





CD0006



NOTES:

1. THREE LEAD MOTOR MAY BE EITHER WYE CONNECTED OR DELTA CONNECTED.
2. INTERCHANGE ANY TWO LINE LEADS TO REVERSE ROTATION.
3. OPTIONAL THERMOSTATS ARE PROVIDED WHEN SPECIFIED.
4. ACTUAL NUMBER OF INTERNAL PARALLEL CIRCUITS MAY VARY.
5. LEAD COLORS ARE OPTIONAL. LEADS MUST BE NUMBERED AS SHOWN.

CD0006

REV. DESC: ADD CLASS CONN00000007		
REV. LTR: E	VERSION: 01	TDR: 000001099922
FILE: \AAA\00005\141	REVISED: 10:24:49 02/19/2019	BY: ENBRIRO
MTL: -	© □	

**BALDOR - RELIANCE®**

3PH, SV, 3 LEADS, WYE OR DELTA CONNECTED

SH 1 of 1