



Customer information packet

VEM3581

1HP, 1760RPM, 3PH, 60HZ, 56C, 0520M, TEFC, F1, N

Class - None

Division - Not Applicable

Specifications

Enclosure	TEFC
Frame	56C
Frame Material	Iron
Frequency	60.00 Hz
Haz Area Class and Group	None
Haz Area Division	Not Applicable
Motor Letter Type	Three Phase
Output @ Frequency	1.000 HP @ 60 HZ
Phase	3
Synchronous Speed @ Frequency	1800 RPM @ 60 HZ
Voltage @ Frequency	230.0 V @ 60 HZ 460.0 V @ 60 HZ
Agency Approvals	CSA EEV NEMA PREMIUM NEMA_PREMIUM UR
Ambient Temperature	40 °C
Auxillary Box	No Auxillary Box
Auxillary Box Lead Termination	None
Base Indicator	No Mounting
Bearing Grease Type	Polyrex EM (-20F +300F)
Blower	None
Current @ Voltage	3.260 A @ 230.0 V 3.200 A @ 208.0 V 1.630 A @ 460.0 V
Design Code	B
Drip Cover	No Drip Cover
Duty Rating	CONT
Efficiency @ 100% Load	85.5 %
Electrically Isolated Bearing	Not Electrically Isolated
Feedback Device	NO FEEDBACK
Front Shaft Indicator	None

Part detail

Revision	E
Type	AC
Mech. spec.	05C013
Base	
Status	PRD/A
Elec. spec.	05WGX508
Layout	05LYC013
Eff. date	04-29-2024
CD Diagram	CD0005
Poles	04
Leads	9#18
Proprietary	False
Created date	09-29-2021

Heater Indicator	No Heater
High Voltage Full Load Amps	1.6 a
Insulation Class	F
Inverter Code	Inverter Ready
KVA Code	N
Lifting Lugs	Standard Lifting Lugs
Locked Bearing Indicator	Locked Bearing
Motor Lead Quantity/Wire Size	9 @ 18 AWG
Motor Lead Termination	Flying Leads
Motor Standards	NEMA
Motor Type	0520M
Mounting Arrangement	F1
Number of Poles	4
Overall Length	12.47 IN
Power Factor	67
Product Family	General Purpose
Pulley End Bearing Type	Ball
Pulley Face Code	C-Face
Pulley Shaft Indicator	Standard
Rodent Screen	None
Service Factor	1.15
Shaft Diameter	0.625 IN
Shaft Ground Indicator	No Shaft Grounding
Shaft Rotation	Reversible
Shaft Slinger Indicator	No Slinger
Speed	1760 rpm
Speed Code	Single Speed
Starting Method	Direct on line
Thermal Device - Bearing	None
Thermal Device - Winding	None
Vibration Sensor Indicator	No Vibration Sensor
Winding Thermal 1	None
Winding Thermal 2	None

Nameplate

NP3441LUA

CAT.NO.	VEM3581						
SPEC	05C013X508G1						
HP	1						
VOLTS	230/460						
AMPS	3.26/1.63						
RPM	1760						
FRAME	56C		HZ	60		PH	3
SF	1.15	CODE	N	DES	B	CLASS	F
NEMA NOM. EFF	85.5	PF	67				
RATING	40C AMB-CONT						
CC	010A						
ENCL	TEFC	SER					
DE	6205	ODE	6203				
VPWM INVERTER READY	SFA 3.52/1.76						
CT6-60H(10:1)VT3-60H(20:1)	50HZ 1HP 190/380V 3.6/1.8A						SF1.0

Parts list

Part number	Description	Quantity
SA398191	SA 05C013X508G1	1.000 ea
RA389139	RA 05C013X508G1	1.000 ea
35FN3002A05SP	EXFN, PLASTIC, 6.376 OD, .638 ID	1.000 ea
06CB1000A03	CONDUIT BOX, MACH	1.000 ea
06GS1000	GASKET, CONDUIT BOX	1.000 ea
51XW2520A12	SCREW, HEX SER SLT HD, ZN, 1/4-20 X .75	2.000 ea
11XW1032G06	10-32 X .38, TAPTITE II, HEX WSHR SLTD U	1.000 ea
HW3001B01	BRASS CUP WASHER, FOR #10 SCREW	1.000 ea
35EP1100A01	STD FR EP-ENCL-03 BRG-TEFC	1.000 ea
HW5100A03	WAVY WASHER (W1543-017)	1.000 ea
35EP1300A36	SPL FACE MTD. E.P. ENCL. 56C 05 BRG FOR	1.000 ea
51XN1032A20	10-32 X 1 1/4 HX WS SL SR	2.000 ea
HA3100A47	THRUBOLT 10-32 X 7.625	4.000 ea
51XB1214A16	12-14X1.00 HXWSSLD SERTYB	1.000 ea
35FH4005A01SP	IEC FH NO GREASER W/PRIMED	1.000 ea
51XW1032A06	10-32 X .38, TAPTITE II, HEX WSHR SLTD S	3.000 ea
06CB1500A01	CONDUIT BOX LID, MACH	1.000 ea
06GS1001	BALDOR CONDUIT BOX GASKET	1.000 ea
10XN2520A12	1/4-20 X 3/4 HEX HEAD CAP	2.000 ea
HW1001A25	LOCKWASHER 1/4, ZINC PLT .493 OD, .255 I	2.000 ea
HW2501D13	KEY, 3/16 SQ X 1.375	1.000 ea
HA7000A04	KEY RETAINER 0.625 DIA SHAFTS	1.000 ea
85XU0407S04	4X1/4 U DRIVE PIN STAINLESS	2.000 ea
MJ1000A02	GREASE, POLYREX EM EXXON	0.050 lb
MG1050Y01	CELEROL BALDOR GOLD *** NLA IN 5 GALLON	0.022 ga
LC0005E01	CONN.DIA./WARNING LABEL (LC0005/LB1119N)	1.000 ea
NP3441LUA	AL SUPER-E VPWM INV RDY, UL EEV, NEMA PREM	1.000 ea
36PA1000	PKG GRP, PRINT PK1016A06	1.000 ea
PK3082	STYROFOAM CRADLE	1.000 ea
MN416A01	TAG-INSTAL-MAINT no wire (2500bx)4/22	1.000 ea

AC Induction Motor Performance Data

Record # 82131

Typical performance - not guaranteed values

Winding: 05WGX508-R001		Type: 0520M	Enclosure: TEFC	
Nameplate Data			460 V, 60 Hz: High Voltage Connection	
Rated Output (HP)	1	Full Load Torque	2.979 LB-FT	
Volts	230/460	Start Configuration	direct on line	
Full Load Amps	3.2-3.2/1.6	Breakdown Torque	13.9 LB-FT	
R.P.M.	1760	Pull-up Torque	8 LB-FT	
Hz	60 Phase	Locked-rotor Torque	9.18 LB-FT	
NEMA Design Code	B KVA Code	Starting Current	14.4 A	
Service Factor (S.F.)	1.15	No-load Current	1.11 A	
NEMA Nom. Eff.	0 Power Factor	Line-line Res. @ 25°C	16.215 Ω	
Rating - Duty	40C AMB-CONT	Temp. Rise @ Rated Load	24°C	
S.F. Amps		Temp. Rise @ S.F. Load	28°C	
		Locked-rotor Power Factor	62	

Load Characteristics 460 V, 60 Hz, 1 HP

% of Rated Load	25	50	75	100	125	150	S.F.
Power Factor	29	46	59	68	74	79	72
Efficiency	71.2	81.4	84.6	85.5	85.4	84.7	85.4
Speed	1791.4	1784.2	1776.7	1768.6	1760	1750.7	1763
Line amperes	1.14	1.25	1.41	1.61	1.84	2.11	1.75

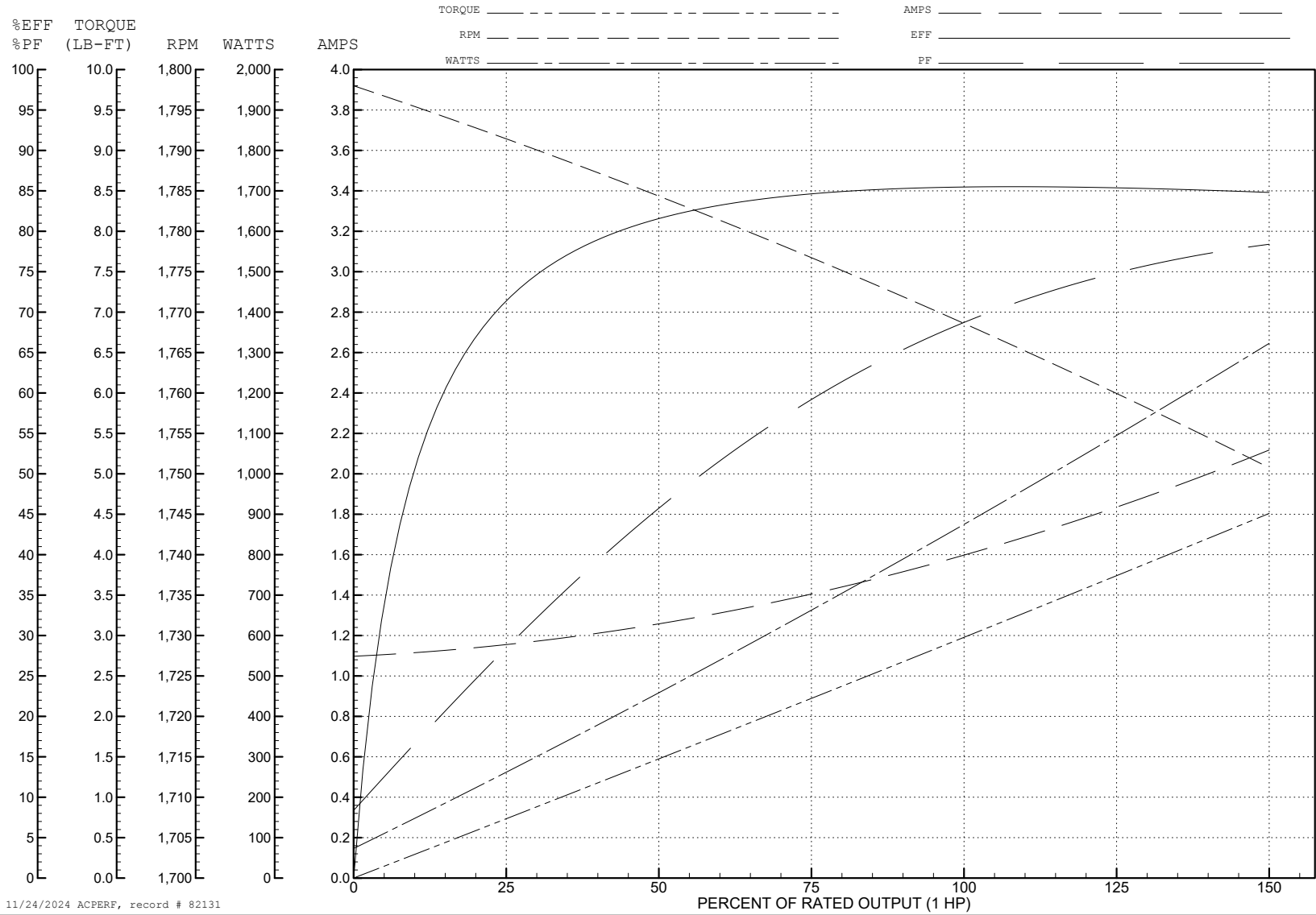
ABB Motors and Mechanical Inc.

WINDING # 05WGX508

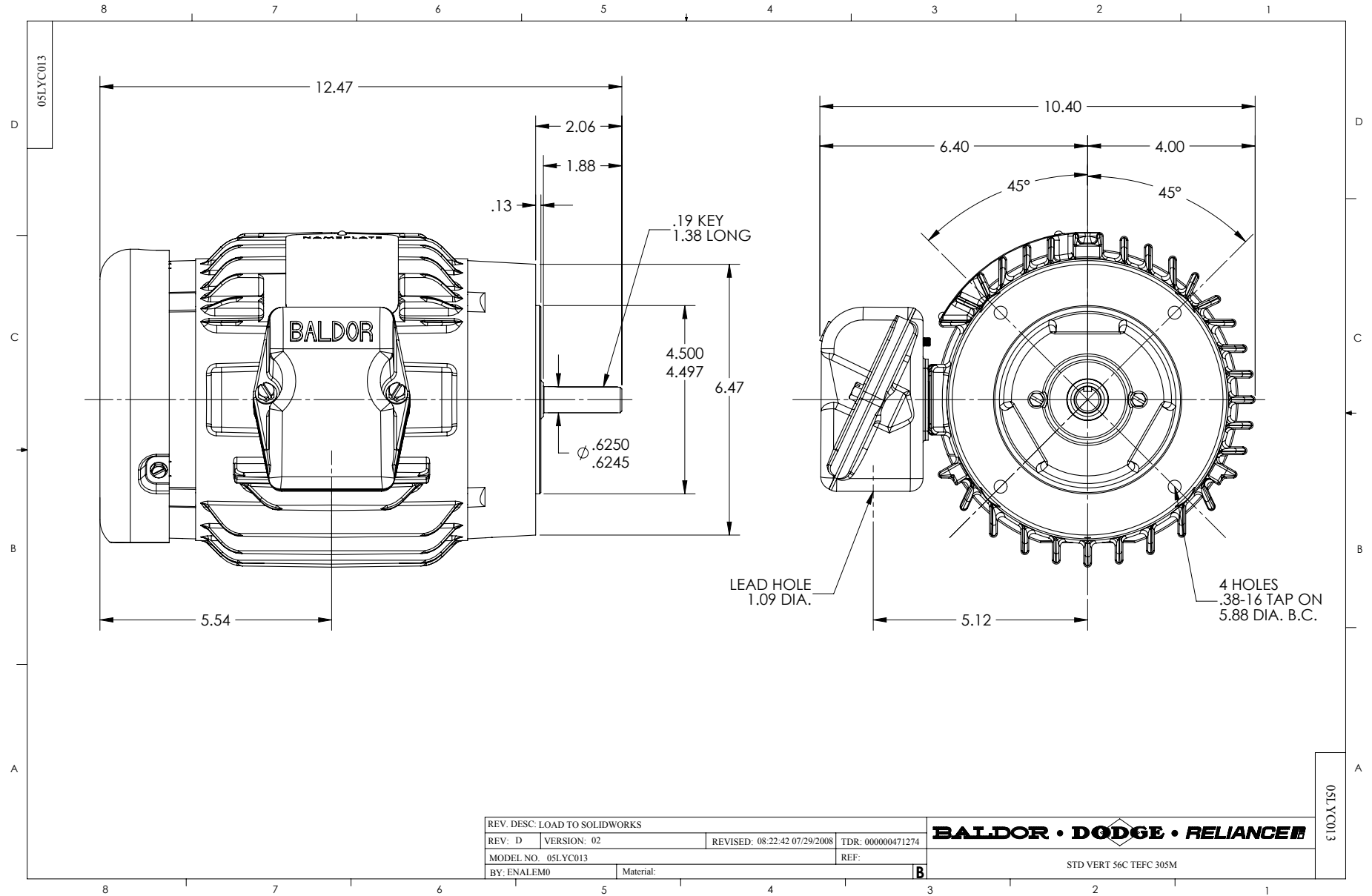
Typical performance - not guaranteed values.

1 HP 3 PH 60 HZ 1760 RPM 460 V 0520M

TORQUES (LB-FT): PO=13.9 PU=8 LR=9.18 LRA=14.4



11/24/2024 ACPERF, record # 82131



CD0005

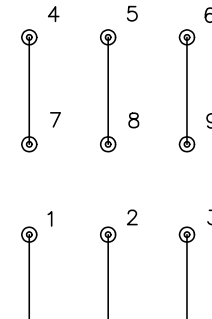


LOW VOLTAGE
(2Y)



LINE

HIGH VOLTAGE
(1Y)



LINE

NOTES:

1. INTERCHANGE ANY TWO LINE LEADS TO REVERSE ROTATION.
2. OPTIONAL THERMOSTATS ARE PROVIDED WHEN SPECIFIED.
3. ACTUAL NUMBER OF INTERNAL PARALLEL CIRCUITS MAY BE A MULTIPLE OF THOSE SHOWN ABOVE.
4. LEAD COLORS ARE OPTIONAL. LEADS MUST ALWAYS BE NUMBERED AS SHOWN.

CD0005

REV. DESC: REVISE TO SHOW OPTIONAL COLORS			
REV. LTR: E	BY: JLP	REVISED: 01/19/99 10:15	TDR: 0171435
S00000		FILE: AAA00005140	MDL: -
		MTL: -	

BALDOR ELECTRIC Co.

3PH, DV, 9 LEADS