



Customer information packet

VEM3615T-5

5HP, 1750RPM, 3PH, 60HZ, 184TC, 3642M, TEFC, F1

Class - None

Division - Not Applicable

Specifications

Enclosure	TEFC
Frame	184TC
Frame Material	Steel
Frequency	60.00 Hz
Haz Area Class and Group	None
Haz Area Division	Not Applicable
Motor Letter Type	Three Phase
Output @ Frequency	5.000 HP @ 60 HZ
Phase	3
Synchronous Speed @ Frequency	1800 RPM @ 60 HZ
Voltage @ Frequency	575.0 V @ 60 HZ
Agency Approvals	CSA EEV CURUSEEV NEMA PREMIUM NEMA_PREMIUM UR
Ambient Temperature	40 °C
Auxillary Box	No Auxillary Box
Auxillary Box Lead Termination	None
Base Indicator	No Mounting
Bearing Grease Type	Polyrex EM (-20F +300F)
Blower	None
Current @ Voltage	5.300 A @ 575.0 V
Design Code	B
Drip Cover	No Drip Cover
Duty Rating	CONT
Efficiency @ 100% Load	89.5 %
Electrically Isolated Bearing	Not Electrically Isolated
Feedback Device	NO FEEDBACK
Front Face Code	Standard
Front Shaft Indicator	None
Heater Indicator	No Heater

Part detail

Revision	M
Type	AC
Mech. spec.	36A003
Base	
Status	PRD/A
Elec. spec.	36WGS551
Layout	36LYA003
Eff. date	06-11-2024
CD Diagram	CD0006
Poles	04
Leads	3#16
Proprietary	False
Created date	07-30-2010

High Voltage Full Load Amps	5.3 a
Insulation Class	F
Inverter Code	Inverter Ready
IP Rating	NONE
KVA Code	J
Lifting Lugs	Standard Lifting Lugs
Locked Bearing Indicator	Locked Bearing
Motor Lead Exit	Ko Box
Motor Lead Quantity/Wire Size	3 @ 16 AWG
Motor Lead Termination	Flying Leads
Motor Standards	NEMA
Motor Type	3642M
Mounting Arrangement	F1
Number of Poles	4
Overall Length	18.04 IN
Power Factor	78
Product Family	General Purpose
Pulley End Bearing Type	Ball
Pulley Face Code	C-Face
Pulley Shaft Indicator	Standard
Rodent Screen	None
Service Factor	1.15
Shaft Diameter	1.125 IN
Shaft Extension Location	Pulley End
Shaft Ground Indicator	No Shaft Grounding
Shaft Rotation	Reversible
Shaft Slinger Indicator	No Slinger
Speed	1750 rpm
Speed Code	Single Speed
Starting Method	Direct on line
Thermal Device - Bearing	None
Thermal Device - Winding	None
Vibration Sensor Indicator	No Vibration Sensor
Winding Thermal 1	None

Winding Thermal 2

None

Nameplate**NP3441L**

CAT.NO.	VEM3615T-5						
SPEC.	36A003S551G1						
HP	5						
VOLTS	575						
AMP	5.3						
RPM	1750						
FRAME	184TC		HZ	60		PH	3
SER.F.	1.15	CODE	J	DES	B	CL	F
NEMA-NOM-EFF	89.5	PF	78				
RATING	40C AMB-CONT						
CC	010A						
DE	6206		ODE	6205			
ENCL	TEFC	SN					

VPWM INVERTER READY**CT6-60H(10:1)VT3-60H(20:1)**

Parts list

Part number	Description	Quantity
SA200705	SA 36A003S551G1	1.000 ea
RA188018	RA 36A003S551G1	1.000 ea
36FN3000C01SP	EXFN, PLASTIC, 5.25 OD, .912 ID	1.000 ea
36CB3004	36 CB CASTING W/1.09 DIA LEAD HOLE @ 6:0	1.000 ea
36GS1000SP	GASKET-CONDUIT BOX, .06 THICK #SV-330 LE	1.000 ea
51XB1016A08	10-16X 1/2HXWSSLD SERTYB	2.000 ea
11XW1032G06	10-32 X .38, TAPTITE II, HEX WSHR SLTD U	1.000 ea
HW3001B01	BRASS CUP WASHER, FOR #10 SCREW	1.000 ea
36EP3104A01	FREP MACH ASSEMBLY FOR ROUTING	1.000 ea
HW4500A01	1641B(ALEMITE)400 UNIV, GREASE FITT	1.000 ea
HW5100A05	WVY WSHR F/205 & 304 BRGS	1.000 ea
36EP3301A23	PUEP ASSEMBLY FOR ROUTING PURPOSES	1.000 ea
HW4500A01	1641B(ALEMITE)400 UNIV, GREASE FITT	1.000 ea
10XN2520A28	1/4-20X 1 3/4 HEX HD	4.000 ea
HW1001A25	LOCKWASHER 1/4, ZINC PLT .493 OD, .255 I	4.000 ea
51XB1214A16	12-14X1.00 HXWSSLD SERTYB	1.000 ea
36FH4009A102	IEC FH GREASER PRIMED	1.000 ea
51XW1032A06	10-32 X .38, TAPTITE II, HEX WSHR SLTD S	3.000 ea
36CB4516	750LIPPED CB LID - GALVANNEAL	1.000 ea
37GS1001	GASKET, CONDUIT BOX LID, .06 THICK LEXID	1.000 ea
51XW0832A07	8-32 X .44, TAPTITE II, HEX WSHR SLTD SE	4.000 ea
HW2501E16	KEY, 1/4 SQ X 1.750	1.000 ea
HA7000A02	KEY RETAINER RING, 1 1/8 DIA, 1 3/8 DIA	1.000 ea
85XU0407S04	4X1/4 U DRIVE PIN STAINLESS	2.000 ea
HW3200A01	3/8-16X3/4 EYEBOLT WELDED F/S	1.000 ea
MJ1000A02	GREASE, POLYREX EM EXXON	0.050 lb
HA3101A28	THRUBOLT 1/4-20 X 12.500 OHIO ROD	4.000 ea
MG1050Y01	CELEROL BALDOR GOLD *** NLA IN 5 GALLON	0.022 ga
LC0006	CONNECTION LABEL	1.000 ea
NP3441L	ALUM SUPER-E VPWM INVERTER READY UL EEV	1.000 ea
36PA1001	PKG GRP, PRINT PK1017A06	1.000 ea

PK3082	STYROFOAM CRADLE	1.000 ea
MN416A01	TAG-INSTAL-MAINT no wire (2500bx)4/22	1.000 ea
LB1624	COMBINED WARNING LABEL, ISO/ANSI PICTOGR	1.000 ea

AC Induction Motor Performance Data

Record # 32022

Typical performance - not guaranteed values

Winding: 36WGS551-R001		Type: 3642M		Enclosure: TEFC	
Nameplate Data			575 V, 60 Hz: Single Voltage Motor		
Rated Output (HP)	5	Full Load Torque	14.9 LB-FT		
Volts	575	Start Configuration	direct on line		
Full Load Amps	5.3	Breakdown Torque	52.2 LB-FT		
R.P.M.	1750	Pull-up Torque	31.6 LB-FT		
Hz	60	Locked-rotor Torque	35 LB-FT		
NEMA Design Code	B	Starting Current	39.3 A		
Service Factor (S.F.)	1.15	No-load Current	2.6 A		
NEMA Nom. Eff.	89.5	Line-line Res. @ 25°C	3.57 Ω		
Rating - Duty	40C	Temp. Rise @ Rated Load	77°C		
S.F. Amps	AMB-CONT	Temp. Rise @ S.F. Load	94°C		
		Locked-rotor Power Factor	40		
		Rotor inertia	0.391 LB-FT ²		

Load Characteristics 575 V, 60 Hz, 5 HP

% of Rated Load	25	50	75	100	125	150	S.F.
Power Factor	38	60	72	78	83	83	81
Efficiency	84.8	89.6	90.5	89.5	88.5	86.9	88.9
Speed	1789	1776	1762	1750	1733	1714	1740
Line amperes	2.85	3.45	4.35	5.33	6.36	7.72	5.95

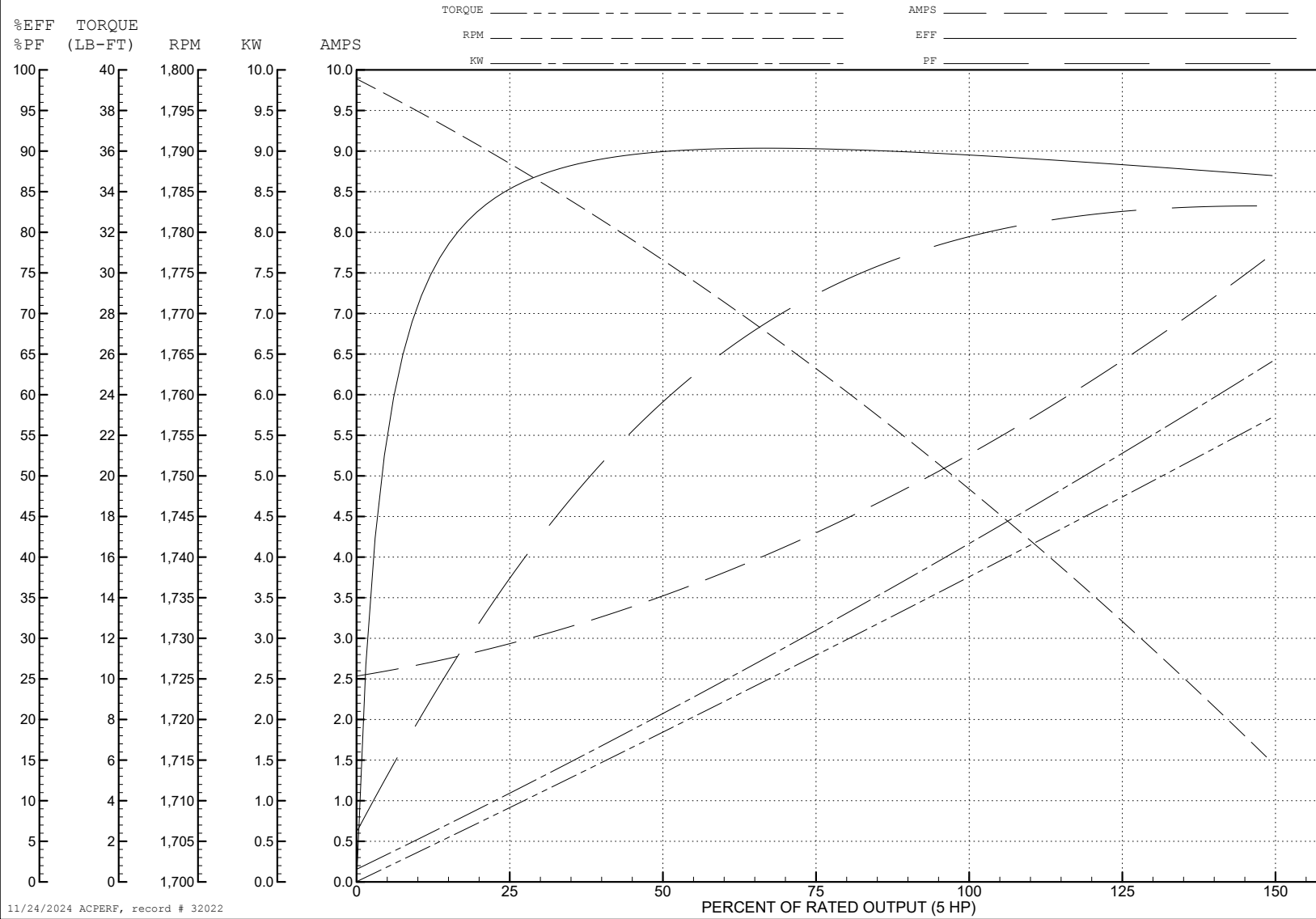
ABB Motors and Mechanical Inc.

WINDING # 36WGS551

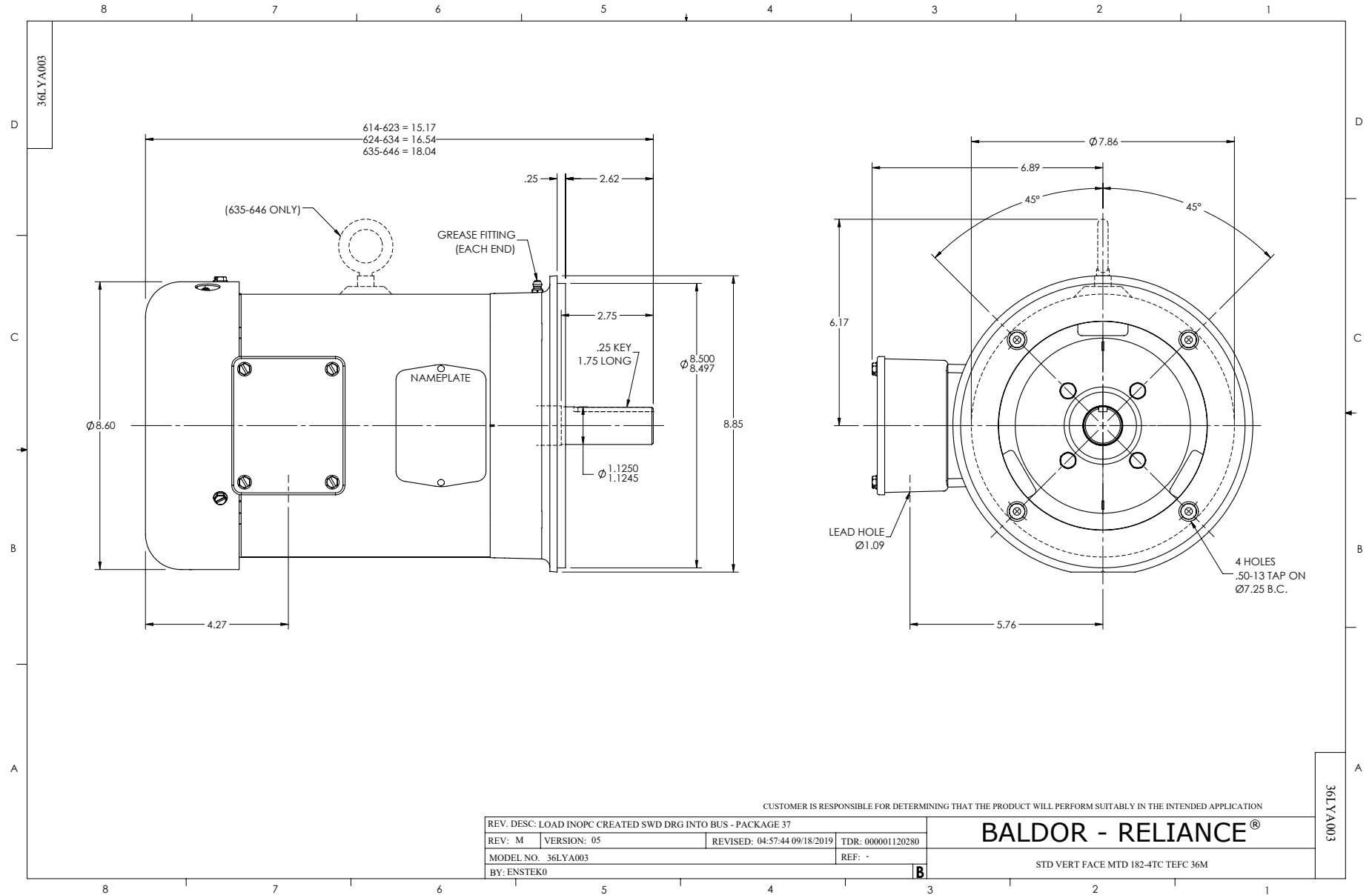
5 HP 3 PH 60 HZ 1750 RPM 575 V 3642M

Typical performance - not guaranteed values.

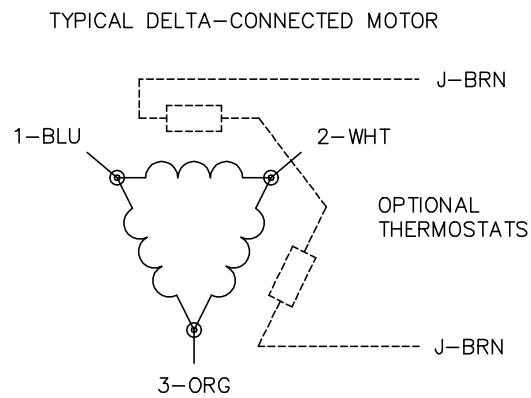
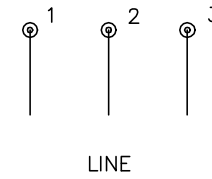
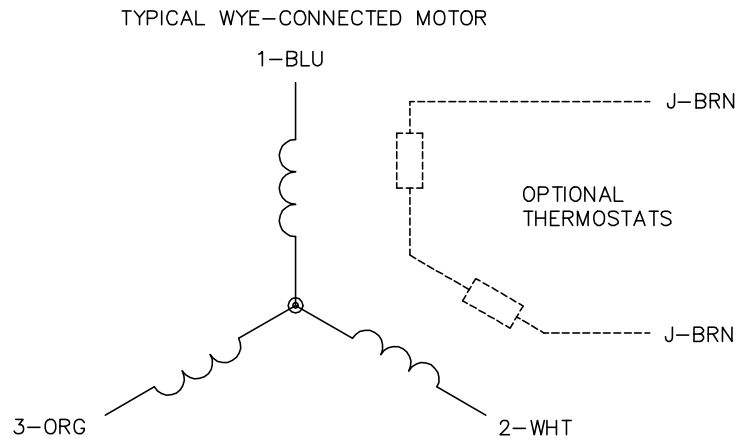
TORQUES (LB-FT): PO=52.2 PU=31.6 LR=35 LRA=39.3



11/24/2024 ACPERF, record # 32022



CD0006



NOTES:

1. THREE LEAD MOTOR MAY BE EITHER WYE CONNECTED OR DELTA CONNECTED.
2. INTERCHANGE ANY TWO LINE LEADS TO REVERSE ROTATION.
3. OPTIONAL THERMOSTATS ARE PROVIDED WHEN SPECIFIED.
4. ACTUAL NUMBER OF INTERNAL PARALLEL CIRCUITS MAY VARY.
5. LEAD COLORS ARE OPTIONAL. LEADS MUST BE NUMBERED AS SHOWN.

CD0006

REV. DESC: ADD CLASS CONN00000007		
REV. LTR: E	VERSION: 01	TDR: 000001099922
FILE: \AAA\00005\141	REVISED: 10:24:49 02/19/2019	BY: ENBRIRO
MTL: -	© □	

BALDOR - RELIANCE®

3PH, SV, 3 LEADS, WYE OR DELTA CONNECTED

SH 1 of 1