

**BALDOR • RELIANCE**

---

# Customer information packet

## VEUHM3546T-5

1/.75KWHP, 1774 1/MIN IP44 IC411 17KGRPM

Class - None

Division - Not Applicable

## Specifications

|                                |   |
|--------------------------------|---|
| Enclosure                      | TEFC  |
| Frame                          | 143TC   |
| Frame Material                 | Steel   |
| Frequency                      | 60.00 Hz  |
| Haz Area Class and Group       | None  |
| Haz Area Division              | Not Applicable  |
| Motor Letter Type              | Three Phase   |
| Output @ Frequency             | 1.000 HP @ 60 HZ  |
| Phase                          | 3   |
| Synchronous Speed @ Frequency  | 1800 RPM @ 60 HZ  |
| Voltage @ Frequency            | 575.0 V @ 60 HZ   |
| Agency Approvals               | CE<br>CSA EEV<br>NEMA PREMIUM<br>NEMA_PREMIUM<br>UR<br>WEEE |
| Ambient Temperature            | 40 °C   |
| Auxillary Box                  | No Auxillary Box  |
| Auxillary Box Lead Termination | None  |
| Base Indicator                 | No Mounting   |
| Bearing Grease Type            | Polyrex EM (-20F +300F)                                     |
| Blower                         | None  |
| Current @ Voltage              | 1.300 A @ 575.0 V   |
| Design Code                    | B   |
| Drip Cover                     | No Drip Cover   |
| Duty Rating                    | CONT  |
| Efficiency @ 100% Load         | 85.5 %  |
| Electrically Isolated Bearing  | Not Electrically Isolated                                   |
| Feedback Device                | NO FEEDBACK   |
| Front Shaft Indicator          | None  |
| Heater Indicator               | No Heater   |

## Part detail

|              |            |
|--------------|------------|
| Revision     | F          |
| Type         | AC         |
| Mech. spec.  | 35W819     |
| Base         |            |
| Status       | PRD/A      |
| Elec. spec.  | 35WGG119   |
| Layout       | 35LYW819   |
| Eff. date    | 09-30-2024 |
| CD Diagram   | CD0006     |
| Poles        | 04         |
| Leads        | 3#18 Y     |
| Proprietary  | False      |
| Created date | 01-10-2022 |

|                               |                     |
|-------------------------------|---------------------|
| High Voltage Full Load Amps   | 1.3 a               |
| Insulation Class              | F                   |
| Inverter Code                 | Inverter Ready      |
| KVA Code                      | N                   |
| Lifting Lugs                  | No Lifting Lugs     |
| Locked Bearing Indicator      | Locked Bearing      |
| Motor Lead Quantity/Wire Size | 3 @ 18 AWG          |
| Motor Lead Termination        | Flying Leads        |
| Motor Standards               | NEMA                |
| Motor Type                    | 3522M               |
| Mounting Arrangement          | F3                  |
| Number of Poles               | 4                   |
| Overall Length                | 13.29 IN            |
| Power Factor                  | 67                  |
| Product Family                | General Purpose     |
| Pulley End Bearing Type       | Ball                |
| Pulley Face Code              | C-Face              |
| Pulley Shaft Indicator        | Standard            |
| Rodent Screen                 | None                |
| Service Factor                | 1.15                |
| Shaft Diameter                | 0.875 IN            |
| Shaft Ground Indicator        | No Shaft Grounding  |
| Shaft Rotation                | Reversible          |
| Shaft Slinger Indicator       | No Slinger          |
| Speed                         | 1774 rpm            |
| Speed Code                    | Single Speed        |
| Starting Method               | Direct on line      |
| Thermal Device - Bearing      | None                |
| Thermal Device - Winding      | None                |
| Vibration Sensor Indicator    | No Vibration Sensor |
| Winding Thermal 1             | None                |
| Winding Thermal 2             | None                |

**Nameplate**

| <b>NP2934L</b>        |                        |             |      |            |   |           |   |
|-----------------------|------------------------|-------------|------|------------|---|-----------|---|
| <b>CAT.NO.</b>        | VEUHM3546T-5           |             |      |            |   |           |   |
| <b>SPEC.</b>          | 35W819G119G1           |             |      |            |   |           |   |
| <b>HP</b>             | 1/.75KW                |             |      |            |   |           |   |
| <b>VOLTS</b>          | 575                    |             |      |            |   |           |   |
| <b>AMP</b>            | 1.3                    |             |      |            |   |           |   |
| <b>R.P.M. (1/MIN)</b> | 1775                   |             |      |            |   |           |   |
| <b>FRAME</b>          | 143TC                  | <b>HZ</b>   | 60   | <b>PH</b>  | 3 |           |   |
| <b>SER.F.</b>         | 1.15                   | <b>CODE</b> | M    | <b>DES</b> | B | <b>CL</b> | F |
| <b>NEMA-NOM-EFF</b>   | 85.5                   | <b>PF</b>   | 70   |            |   |           |   |
| <b>RATING</b>         | 40C AMB-S1 CONT        |             |      |            |   |           |   |
| <b>CC</b>             | 010A                   |             |      |            |   |           |   |
| <b>DE</b>             | 6205                   | <b>ODE</b>  | 6203 |            |   |           |   |
| <b>ENCL</b>           | TEFC                   | <b>SN</b>   |      |            |   |           |   |
|                       | IE3-85.2(75%)83.2(50%) |             |      |            |   |           |   |

## Parts list

| Part number   | Description                              | Quantity |
|---------------|--|----------|
| SA402671      | SA 35W819G119G1                          | 1.000 ea |
| RA393948      | RA 35W819G119G1                          | 1.000 ea |
| 34FN3002B01   | EXTERNAL FAN, PLASTIC, .637/.639 HUB W/  | 1.000 ea |
| NS2512A01     | INSULATOR, CONDUIT BOX X                 | 1.000 ea |
| 35CB4007      | KOBX,W/PRIMER (WAS REL# 79097-49-C)      | 1.000 ea |
| 35GS3023      | GASKET FOR KOBX 35CB4007, CLSD CELL NEOP | 1.000 ea |
| WD4101A13     | STEEL CAPLUG,BP-1 1/8, PLUG D3561S       | 2.000 ea |
| 51XB1016A05   | 10-16X5/16HX WA SL SR TYB (F/S)          | 2.000 ea |
| 11XT1032G04   | 10-32 X 1/4" GRD SCREW                   | 1.000 ea |
| HW3001B01     | BRASS CUP WASHER, FOR #10 SCREW          | 1.000 ea |
| 35EP3122A00   | MASTER ODE,203 BRG,.683SH,#26 DRN,GRSR,F | 1.000 ea |
| HW4500A01     | 1641B(ALEMITE)400 UNIV, GREASE FITT      | 1.000 ea |
| HW5100A03     | WAVY WASHER (W1543-017)                  | 1.000 ea |
| 35EP3307D00   | MASTER DE,205 BRG,.998SH,#26 DRN,GRSR    | 1.000 ea |
| HW4500A01     | 1641B(ALEMITE)400 UNIV, GREASE FITT      | 1.000 ea |
| 51XN1032A20   | 10-32 X 1 1/4 HX WS SL SR                | 2.000 ea |
| 51XB1214A16   | 12-14X1.00 HXWSSLD SERTYB                | 1.000 ea |
| 35FH4005A84SP | IEC FH W/GRSR, NO DIMPLES PRIMED         | 1.000 ea |
| 51XW1032A06   | 10-32 X .38, TAPTITE II, HEX WSHR SLTD S | 3.000 ea |
| 35CB4519      | CB LID W/BLACK PRIMER                    | 1.000 ea |
| 35GS3019A01   | LEXIDE GASKET, FOR KOBX LID 35CB4519     | 1.000 ea |
| 51XW0832A07   | 8-32 X .44, TAPTITE II, HEX WSHR SLTD SE | 4.000 ea |
| HW2501D13     | KEY, 3/16 SQ X 1.375                     | 1.000 ea |
| HA7000A01     | KEY RETAINER 7/8" DIA SHAFT              | 1.000 ea |
| 85XU0407S04   | 4X1/4 U DRIVE PIN STAINLESS              | 2.000 ea |
| MJ1000A02     | GREASE, POLYREX EM EXXON                 | 0.050 lb |
| MG1025N19     | MUNSELL 8.5BG 3.57/2.0, GLOSS 30, B/G,   | 0.017 ga |
| HA3100A15     | THRUBOLT 10-32 X 8.375                   | 4.000 ea |
| LB1624        | COMBINED WARNING LABEL, ISO/ANSI PICTOGR | 1.000 ea |
| LC0006        | CONNECTION LABEL                         | 1.000 ea |
| MN416A01      | TAG-INSTAL-MAINT no wire (2500bx)4/22    | 1.000 ea |

|            |                                      |          |
|------------|--------------------------------------|----------|
| NP2934L    | ALUM SUPER-E UL CE UKCA WEEE CC PREM | 1.000 ea |
| 36PA1000   | PKG GRP, PRINT PK1016A06             | 1.000 ea |
| PK3082     | STYROFOAM CRADLE                     | 1.000 ea |
| FE-0000001 | ZRTG FE ASSEMBLY                     | 1.000 ea |
| PE-0000001 | ZRTG PE ASSEMBLY                     | 1.000 ea |

**AC Induction Motor Performance Data**

Record # 99012

Typical performance - not guaranteed values

| Winding: 35WGG119-R001 |                   | Type: 3522M         | Enclosure: TEFC                               |                          |
|------------------------|-------------------|---------------------|---|--------------------------|
| <b>Nameplate Data</b>  |                   |                     | <b>575 V, 60 Hz:<br/>Single Voltage Motor</b> |                          |
| Rated Output (HP)      | 1                 | Full Load Torque    | 2.99 LB-FT                                    |                          |
| Volts                  | 575               | Start Configuration | direct on line                                |                          |
| Full Load Amps         | 1.3               | Breakdown Torque    | 13.4 LB-FT                                    |                          |
| R.P.M.                 | 1775              | Pull-up Torque      | 6.8 LB-FT                                     |                          |
| Hz                     | 60 Phase          | 3                   | Locked-rotor Torque                           | 8.3 LB-FT                |
| NEMA Design Code       | B KVA Code        | M                   | Starting Current                              | 10.9 A                   |
| Service Factor (S.F.)  |                   | 1.15                | No-load Current                               | 0.87 A                   |
| NEMA Nom. Eff.         | 85.5 Power Factor | 70                  | Line-line Res. @ 25°C                         | 30.1 Ω                   |
| Rating - Duty          | 40C AMB-CONT      |                     | Temp. Rise @ Rated Load                       | 36°C                     |
| S.F. Amps              |                   | 1.4                 | Temp. Rise @ S.F. Load                        | 42°C                     |
|                        |                   |                     | Locked-rotor Power Factor                     | 63.4                     |
|                        |                   |                     | Rotor inertia                                 | 0.159 lb-ft <sup>2</sup> |

**Load Characteristics 575 V, 60 Hz, 1 HP**

| % of Rated Load | 25   | 50   | 75   | 100  | 125  | 150  | S.F. |
|-----------------|------|------|------|------|------|------|------|
| Power Factor    | 31   | 48   | 61   | 70   | 76   | 80   | 74   |
| Efficiency      | 72.1 | 81.6 | 84.9 | 85.8 | 85.7 | 85   | 85.7 |
| Speed           | 1794 | 1787 | 1781 | 1774 | 1767 | 1758 | 1770 |
| Line amperes    | 0.89 | 0.97 | 1.1  | 1.26 | 1.44 | 1.65 | 1.37 |

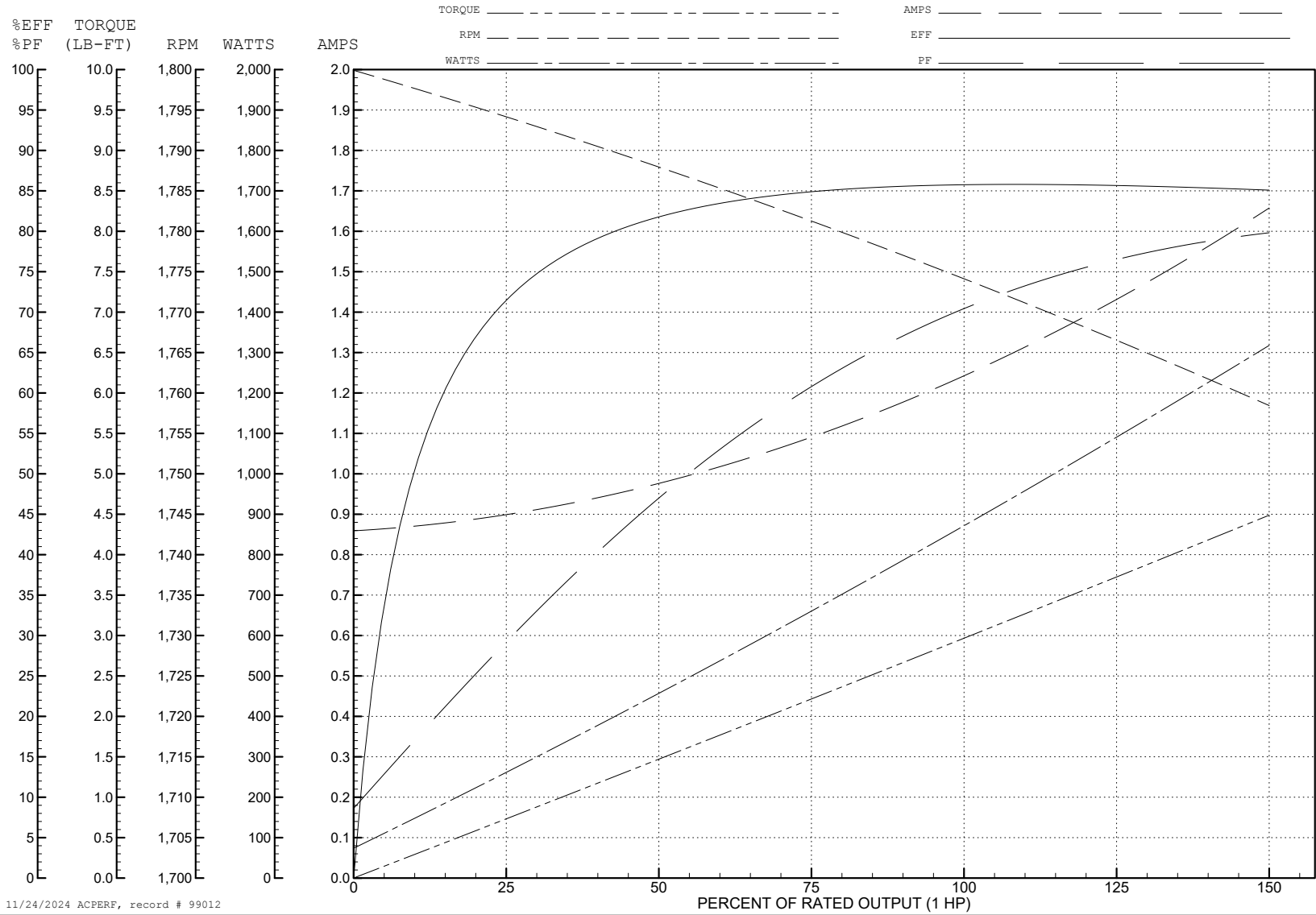
ABB Motors and Mechanical Inc.

WINDING # 35WGG119

Typical performance - not guaranteed values.

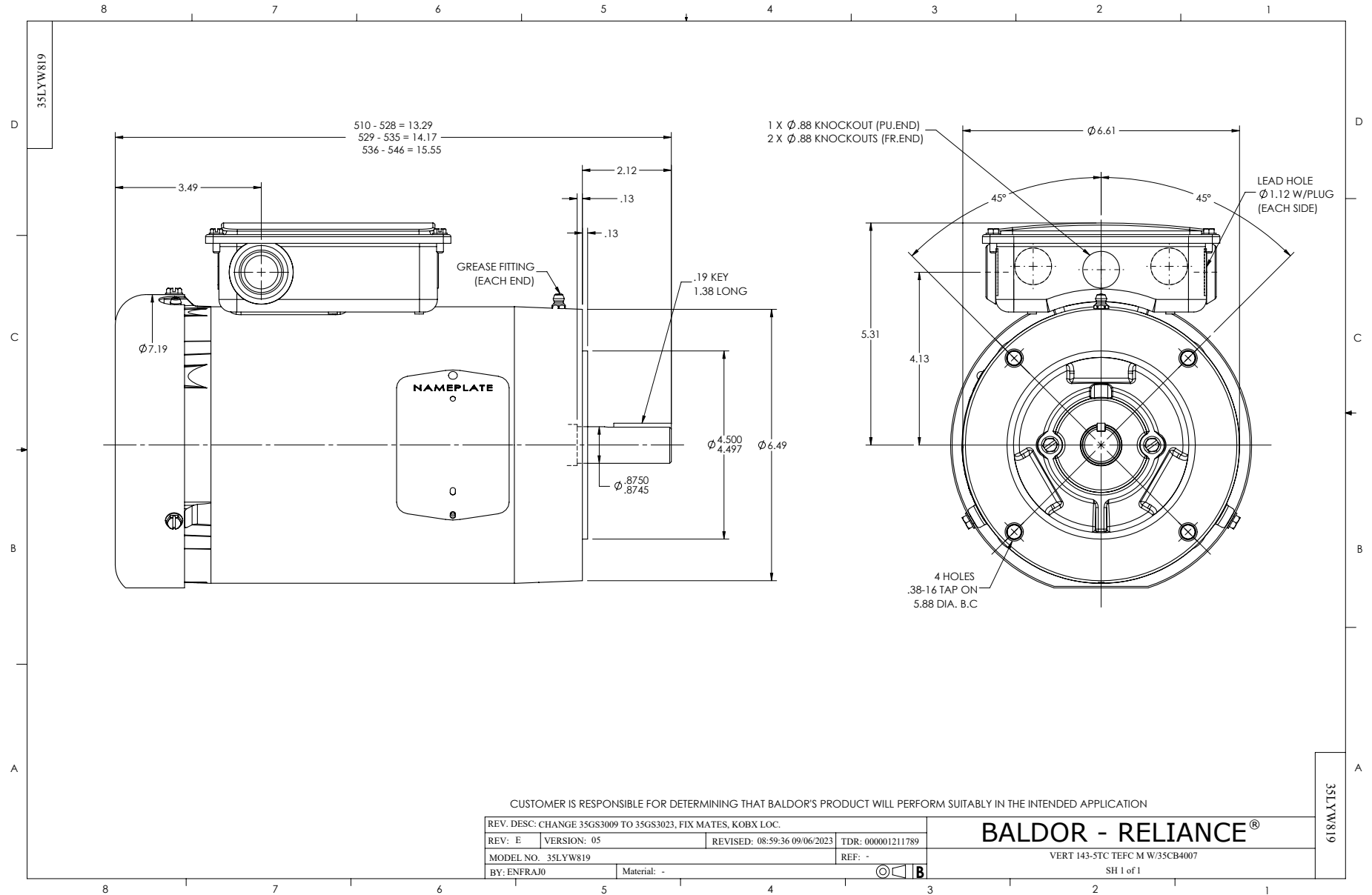
1 HP 3 PH 60 HZ 1775 RPM 575 V 3522M

TORQUES (LB-FT): PO=13.4 PU=6.8 LR=8.3 LRA=10.9

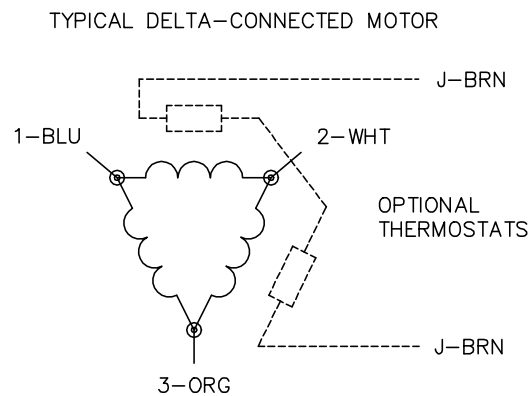
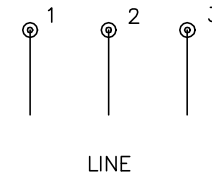
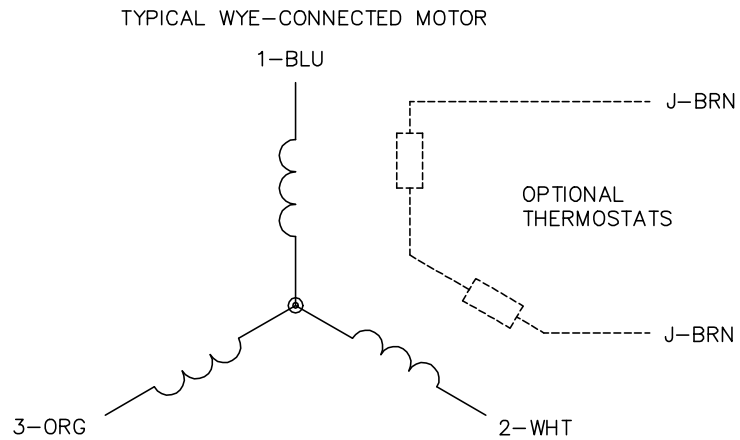


11/24/2024 ACPERF, record # 99012





CD0006



NOTES:

1. THREE LEAD MOTOR MAY BE EITHER WYE CONNECTED OR DELTA CONNECTED.
2. INTERCHANGE ANY TWO LINE LEADS TO REVERSE ROTATION.
3. OPTIONAL THERMOSTATS ARE PROVIDED WHEN SPECIFIED.
4. ACTUAL NUMBER OF INTERNAL PARALLEL CIRCUITS MAY VARY.
5. LEAD COLORS ARE OPTIONAL. LEADS MUST BE NUMBERED AS SHOWN.

CD0006

|                                   |                              |                   |
|-----------------------------------|------------------------------|-------------------|
| REV. DESC: ADD CLASS CONN00000007 |                              |                   |
| REV. LTR: E                       | VERSION: 01                  | TDR: 000001099922 |
| FILE: \AAA\00005\141              | REVISED: 10:24:49 02/19/2019 | BY: ENBRIRO       |
| MTL: -                            | © □                          |                   |

**BALDOR - RELIANCE®**

3PH, SV, 3 LEADS, WYE OR DELTA CONNECTED

SH 1 of 1