

BALDOR • RELIANCE

Customer information packet

VFSWDM3545-E

1HP, 3450RPM, 3PH, 60HZ, 56C, 3520M, TENV, F1, N

Class - None

Division - Not Applicable

Specifications

Enclosure	TENV
Frame	56C
Frame Material	Stainless Steel
Frequency	60.00 Hz
Haz Area Class and Group	None
Haz Area Division	Not Applicable
Motor Letter Type	Three Phase
Output @ Frequency	1.000 HP @ 60 HZ
Phase	3
Synchronous Speed @ Frequency	3600 RPM @ 60 HZ
Voltage @ Frequency	230.0 V @ 60 HZ 460.0 V @ 60 HZ
Agency Approvals	UR CSA
Ambient Temperature	40 °C
Auxillary Box	No Auxillary Box
Auxillary Box Lead Termination	None
Base Indicator	No Mounting
Bearing Grease Type	Polyrex EM (-20F +300F)
Blower	None
Current @ Voltage	1.400 A @ 460.0 V 2.800 A @ 230.0 V 2.900 A @ 208.0 V
Design Code	B
Drip Cover	No Drip Cover
Duty Rating	CONT
Efficiency @ 100% Load	82.5 %
Electrically Isolated Bearing	Not Electrically Isolated
Feedback Device	NO FEEDBACK
Front Face Code	Standard
Front Shaft Indicator	None
Heater Indicator	No Heater

Part detail

Revision	P
Type	AC
Mech. spec.	35E4656
Base	
Status	PRD/A
Elec. spec.	35WGL314
Layout	35LYE4656
Eff. date	08-14-2023
CD Diagram	CD0005
Poles	02
Leads	9#18,0#,0#,0# Y
Proprietary	False
Created date	06-20-2017

High Voltage Full Load Amps	1.4 a
Insulation Class	H
Inverter Code	Not Inverter
KVA Code	N
Lifting Lugs	No Lifting Lugs
Locked Bearing Indicator	Locked Bearing
Motor Finish	UNPAINTED
Motor Lead Exit	Ko Box
Motor Lead Quantity/Wire Size	@ 0 AWG 9 @ 18 AWG
Motor Lead Termination	Flying Leads
Motor Standards	NEMA
Motor Type	3520M
Mounting Arrangement	F1
Number of Poles	2
Overall Length	11.78 IN
Power Factor	82
Product Family	WD All SS Encapsulated
Pulley End Bearing Type	Sealed Bearing
Pulley Face Code	C-Face
Pulley Shaft Indicator	Standard
Rodent Screen	None
RoHS Status	ROHS COMPLIANT
Service Factor	1.15
Shaft Diameter	0.625 IN
Shaft Extension Location	Pulley End
Shaft Ground Indicator	No Shaft Grounding
Shaft Rotation	Reversible
Shaft Slinger Indicator	No Slinger
Speed	3450 rpm
Speed Code	Single Speed
Starting Method	Direct on line
Thermal Device - Bearing	None
Thermal Device - Winding	None

Vibration Sensor Indicator	No Vibration Sensor
Winding Thermal 1	None
Winding Thermal 2	None

Nameplate

NP4427AAA01

CAT #	VFSWDM3545-E	WT	37	LBS	
SPEC	35E4656L314G1	ENCL	TENV		
SER #		CC	010A	IP	69
HP	1	MAG CUR	1.44/.72		
VOLTS	230/460	NEMA NOM. EFF	82.5		
AMPS	2.8/1.4	PF	82		
RATING	40C AMB-CONT				
RPM	3450	MAX RPM	5400		
FRAME	56C	HZ	60	CODE	N
		CLASS	H		
SER.F.	1.15	SF AMP		PH	3
		DES	B		
DE	6205	ODE	6205		
LUBRICATION	POLYREX EM				
ID LOGO	INVERTER TYPE	VPWM	CHP	60	TO 90 1.5:1
ID LOGO	WK2 0.06	CT 15	TO 60	4:1	
ID LOGO	SL HZ 2.5	VT 3	TO 60	20:1	
			QR		
YR					

Parts list

Part number	Description	Quantity
SA343176	SA 35E4656L314G1	1.000 ea
RA331622	RA 35E4656L314G1	1.000 ea
35CB1017A01	35/36 MID SECT - 3 PC. CONDUIT BOX 1/2 N	1.000 ea
HA3424S48	STUD - M6X1.0 THDS X 3.00"	1.000 ea
RM1070A81	O-RING, -043 VITON/FKM .070CS X 3.489ID	1.000 ea
35CB1513A01	35-36-37 MACH. LID - 3 PC. CONDUIT BOX	1.000 ea
11XW1032G08	10-32 X .50, TAPTITE II, HEX WSHR SLTD U	1.000 ea
HW3001B02	BRASS CUP WASHER W/GROUND SYMBOL TAB,	1.000 ea
35EP1940A03	FRONT TENV 205 BRG (STAINLESS)	1.000 ea
RM1070A25	O-RING, VITON/FKM .070CS X 6.190ID	1.000 ea
HW4500S33	1/8 NPT STAINLESS #304 SS PLUG	4.000 ea
HW5100A05	WVY WSHR F/205 & 304 BRGS	1.000 ea
35EP1935A02	PULLEY 56C/143-5TC ENCL 205 BRG	1.000 ea
RM1070A25	O-RING, VITON/FKM .070CS X 6.190ID	1.000 ea
HW4600G01	.984X1.499X.25 VITON SLICK SERIES LIP	1.000 ea
HW4600E99	25 X 42 X 6 AFX SEAL, GRAPHITE INFUSED V	1.000 ea
HW4500S33	1/8 NPT STAINLESS #304 SS PLUG	4.000 ea
RM1070A26	O-RING,4.5MM I.D.X1.5MM C.S. (VITON)	4.000 ea
RM1070A81	O-RING, -043 VITON/FKM .070CS X 3.489ID	1.000 ea
HW2502D13	SS KEY, 3/16 SQ X 1.375	1.000 ea
HA7000A04	KEY RETAINER 0.625 DIA SHAFTS	1.000 ea
MJ5001A27	32220KN GRAY SEALER *MIN BUY 4 QTS=1GAL	0.005 qt
MJ5004A93	FOOD GRADE (H1 RATED) ANTISEIZE THRD COM	0.005 ea
HA1025A21	WSHR,FELT .125" THK	1.000 ea
HA5027A09	DRAIN KIT,(2)HA4002A03 BAGGED W/LABEL	1.000 ea
MJ1000A02	GREASE, POLYREX EM EXXON	0.050 lb
WD5603A01	KIT, CLOSED-END LEAD SPLICE (18-14GA)	1.000 ea
HA3100FS11	THRUBOLT, 10-32 X 8.500 SS FOOD SAFE	4.000 ea
36PA1000	PKG GRP, PRINT PK1016A06	1.000 ea
PK3082	STYROFOAM CRADLE	1.000 ea
MN416A01	TAG-INSTAL-MAINT no wire (2500bx)4/22	1.000 ea

FE-0000007	ZRTG FE ASSEMBLY	1.000 ea
PE-0000010	ZRTG PE ASSEMBLY	1.000 ea

AC Induction Motor Performance Data

Record # 63641

Typical performance - not guaranteed values

Winding: 35WGL314-R002		Type: 3520M		Enclosure: TENV	
Nameplate Data			460 V, 60 Hz: High Voltage Connection		
Rated Output (HP)	1	Full Load Torque	1.52 LB-FT		
Volts	230/460	Start Configuration	direct on line		
Full Load Amps	2.8/1.4	Breakdown Torque	8.51 LB-FT		
R.P.M.	3450	Pull-up Torque	6.16 LB-FT		
Hz	60 Phase	3	Locked-rotor Torque	8.01 LB-FT	
NEMA Design Code	B KVA Code	N	Starting Current	15.1 A	
Service Factor (S.F.)		1.15	No-load Current	0.722 A	
NEMA Nom. Eff.	82.5 Power Factor	82	Line-line Res. @ 25°C	10.85 Ω	
Rating - Duty		40C AMB-CONT	Temp. Rise @ Rated Load	91°C	
S.F. Amps		3.2/1.6	Temp. Rise @ S.F. Load	105°C	

Load Characteristics 460 V, 60 Hz, 1 HP

% of Rated Load	25	50	75	100	125	150	S.F.
Power Factor	44	64	76	82	86	88	84
Efficiency	67.8	79	82.4	83.4	83.4	82.5	83.4
Speed	3566.5	3536.9	3507.4	3477.1	3442.7	3405	3456
Line amperes	0.791	0.953	1.15	1.38	1.63	1.93	1.53

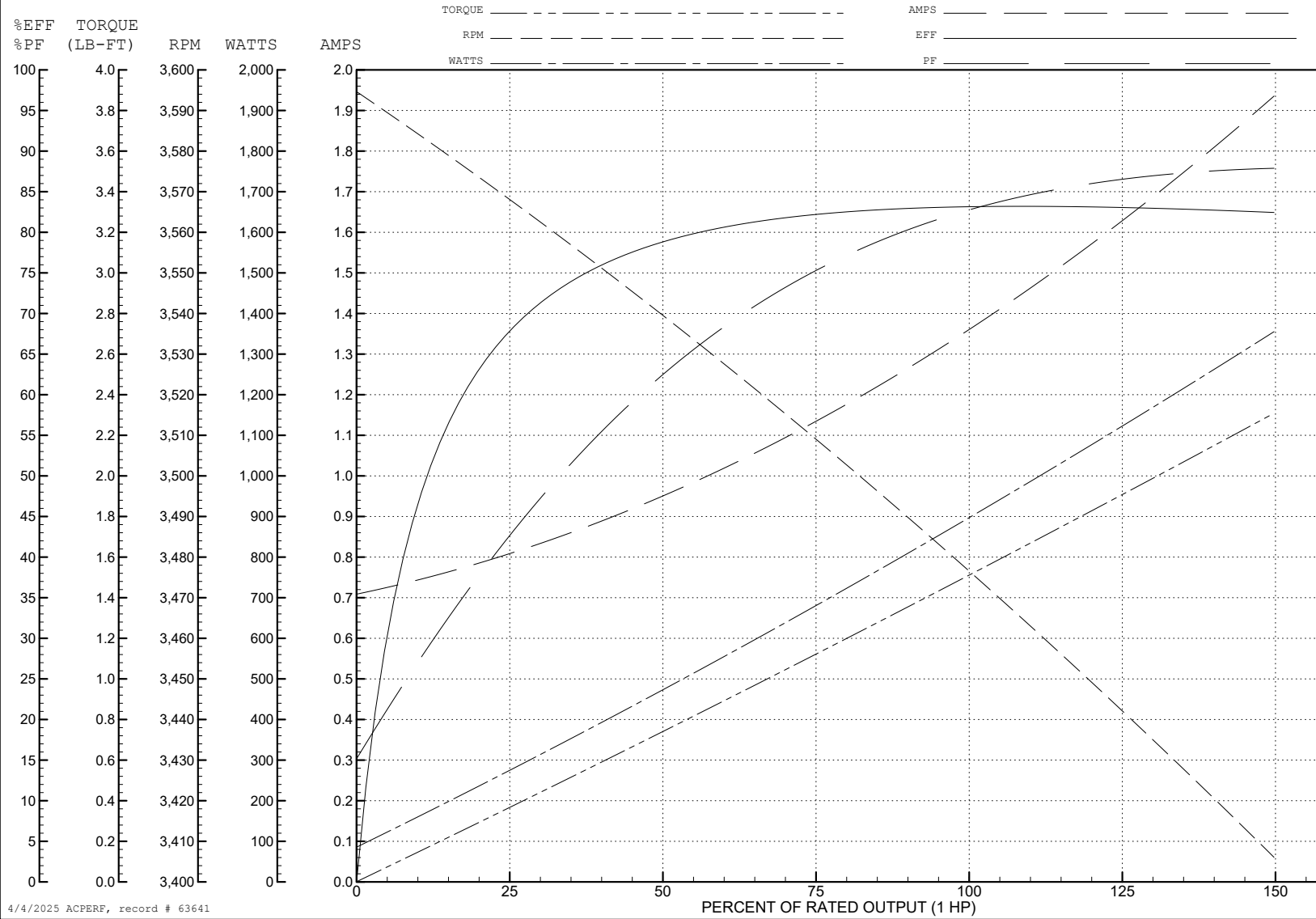
ABB Motors and Mechanical Inc.

WINDING # 35WGL314

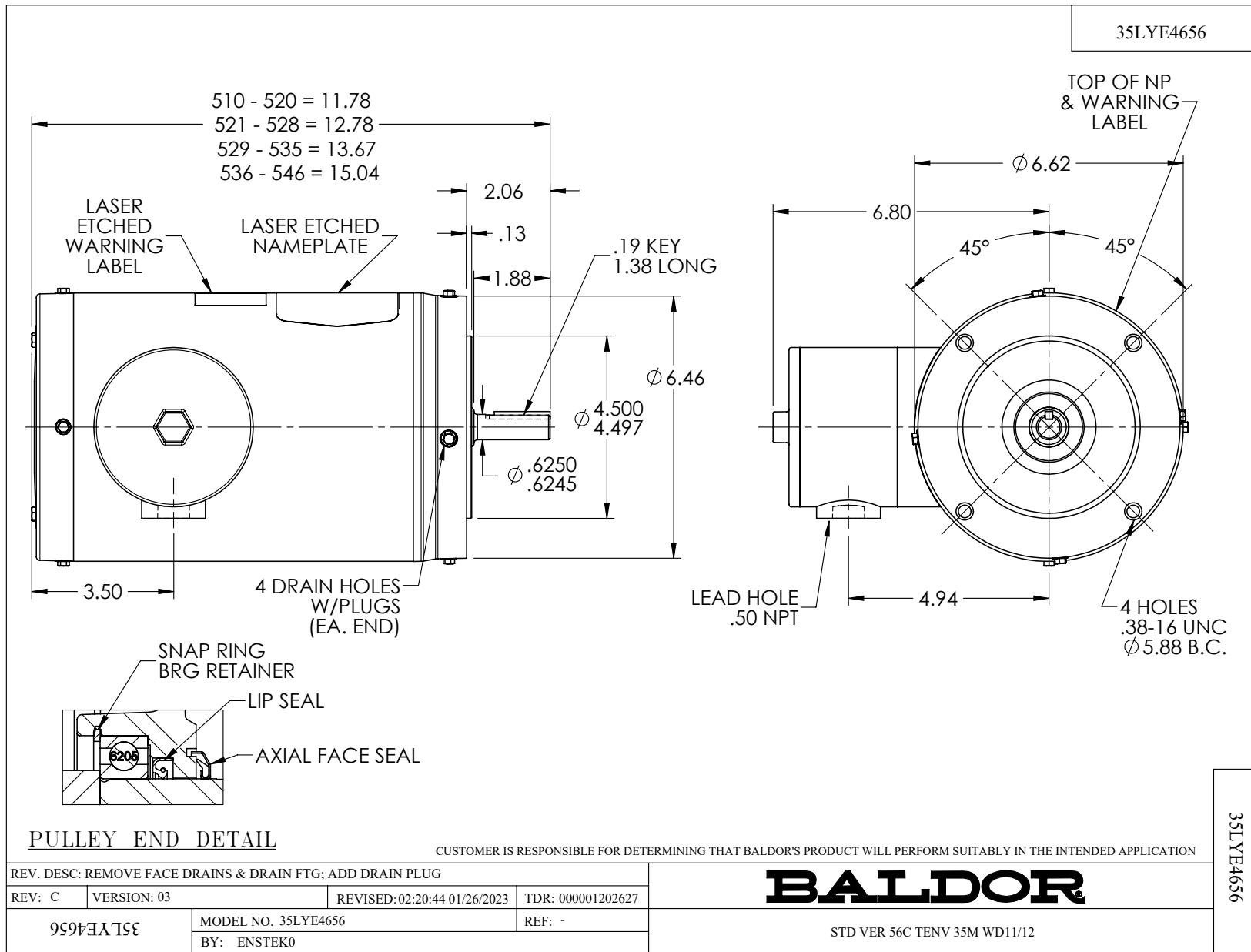
Typical performance - not guaranteed values.

1 HP 3 PH 60 HZ 3450 RPM 460 V 3520M

TORQUES (LB-FT): PO=8.51 PU=6.16 LR=8.01 LRA=15.1



4/4/2025 ACPERF, record # 63641



CD0005

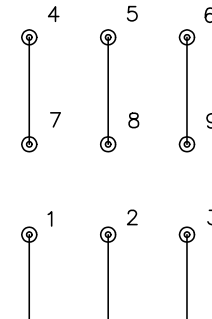


LOW VOLTAGE
(2Y)



LINE

HIGH VOLTAGE
(1Y)



LINE

NOTES:

1. INTERCHANGE ANY TWO LINE LEADS TO REVERSE ROTATION.
2. OPTIONAL THERMOSTATS ARE PROVIDED WHEN SPECIFIED.
3. ACTUAL NUMBER OF INTERNAL PARALLEL CIRCUITS MAY BE A MULTIPLE OF THOSE SHOWN ABOVE.
4. LEAD COLORS ARE OPTIONAL. LEADS MUST ALWAYS BE NUMBERED AS SHOWN.

CD0005

REV. DESC: REVISE TO SHOW OPTIONAL COLORS			
REV. LTR: E	BY: JLP	REVISED: 01/19/99 10:15	TDR: 0171435
S00000		FILE: AAA00005140	MDL: -
		MTL: -	

BALDOR ELECTRIC Co.

3PH, DV, 9 LEADS