

**BALDOR® • RELIANCE™**

---

# Customer information packet

## VHEM2535T

30HP, 1775RPM, 3PH, 60HZ, 286HP, 1072M, OPEN, F

Class - None

Division - Not Applicable

## Specifications

Enclosure	OPEN
Frame	286HP
Frame Material	Iron
Frequency	60.00 Hz
Haz Area Class and Group	None
Haz Area Division	Not Applicable
Motor Letter Type	Three Phase
Output @ Frequency	30.000 HP @ 60 HZ
Phase	3
Synchronous Speed @ Frequency	1800 RPM @ 60 HZ
Voltage @ Frequency	460.0 V @ 60 HZ 230.0 V @ 60 HZ
Agency Approvals	CSA CSA EEV UR
Ambient Temperature	40 °C
Auxillary Box	No Auxillary Box
Auxillary Box Lead Termination	None
Base Indicator	No Mounting
Bearing Grease Type	Polyrex EM (-20F +300F)
Blower	None
Current @ Voltage	72.000 A @ 230.0 V 78.000 A @ 208.0 V 36.000 A @ 460.0 V
Design Code	A
Drip Cover	Drip Cover
Duty Rating	CONT
Efficiency @ 100% Load	94.1 %
Electrically Isolated Bearing	Not Electrically Isolated
Feedback Device	NO FEEDBACK
Front Face Code	Drip Cover Mounting
Front Shaft Indicator	None

## Part detail

Revision	N
Type	AC
Mech. spec.	10F886
Base	
Status	NLA/A
Elec. spec.	10WGZ473
Layout	10LYF886
Eff. date	02-21-2022
CD Diagram	CD0005
Poles	04
Leads	9#10
Proprietary	False
Created date	10-19-2015

Heater Indicator	No Heater
High Voltage Full Load Amps	36.0 a
Insulation Class	F
Inverter Code	Inverter Ready
KVA Code	H
Lifting Lugs	Standard Lifting Lugs
Locked Bearing Indicator	Locked Bearing
Motor Lead Exit	Ko Box
Motor Lead Quantity/Wire Size	9 @ 10 AWG
Motor Lead Termination	Flying Leads
Motor Standards	NEMA
Motor Type	1072M
Mounting Arrangement	F1
Number of Poles	4
Overall Length	29.93 IN
Power Factor	82
Product Family	General Purpose
Pulley End Bearing Type	Ball
Pulley Face Code	P-Base
Pulley Shaft Indicator	P-Base Groove & Key
Rodent Screen	None
Service Factor	1.15
Shaft Diameter	1.125 IN
Shaft Extension Location	Pulley End
Shaft Ground Indicator	No Shaft Grounding
Shaft Rotation	Reversible
Shaft Slinger Indicator	Shaft Slinger
Speed	1775 rpm
Speed Code	Single Speed
Starting Method	Direct on line
Thermal Device - Bearing	NONE (OLD)
Thermal Device - Winding	None
Vibration Sensor Indicator	No Vibration Sensor
Winding Thermal 1	None

**Winding Thermal 2**

**None**

---

**Nameplate**

**NP2138L**

<b>CAT.NO.</b>	VHEM2535T	<b>P/N</b>		<b>ENCLOSURE</b>	OPEN		
<b>SPEC.</b>	10F886Z473G1	<b>CC</b>	010A	<b>FRAME</b>	286HP	<b>S/N</b>	
<b>HP</b>	30	<b>CLASS</b>	F	<b>HZ</b>	60		
<b>RPM</b>	1775	<b>PH</b>	3	<b>DES</b>	A		
<b>VOLT</b>	230/460	<b>KVA-CODE</b>	H	<b>ODE BRG</b>	6309	<b>DE BRG</b>	6312
<b>AMP</b>	72/36						
<b>RATING</b>	40C AMB-CONT	<b>GREASE</b>	POLYREX EM				
<b>NEMA-NOM-EFF</b>	94.1	<b>PF</b>	82	<b>SER.F.</b>	1.15		
<b>HTR-VOLTS</b>		<b>HTR-AMPS</b>					

## Parts list

Part number	Description	Quantity
SA309025	SA 10F886Z473G1	1.000 ea
RA296363	RA 10F886Z473G1	1.000 ea
10CB3003A04	KO BOX, MACH W/2.00 NPT LD HL & #26 DRAI	1.000 ea
09GS1000	GASKET-CONDUIT BOX, 1/16 THICK LEXIDE	1.000 ea
10XN3118K16	5/16-18 X 1' GRADE #5, STL, ZINC PLATE	4.000 ea
HW1001A31	LOCKWASHER 5/16, ZINC PLT.591 OD, .319 I	4.000 ea
WD1000B16	T&B CX70TN OR L70P TERMINAL LUG	1.000 ea
51XF2520A08	SCREW, HEX SER SLT HD, ZN 1/4-20 X .50 L	1.000 ea
10EP1201A01	FREP, MACH W/309 BRG	1.000 ea
10AD2002	AIR DEFLECTOR, 310 OPEN P-BASE	1.000 ea
12XN1032A08	10-32X1/2 HEX HD SLTD	3.000 ea
HW1001A10	WASHER, #10 SPLT LK, ZN X	3.000 ea
10XN3816K52	3/8-16 X 3-1/4 HEX HEAD CAP SCREW GRD 5	4.000 ea
HW1001A38	LOCKWASHER 3/8, ZINC PLT .688 OD, .382 I	4.000 ea
HW4600B41	V-RING SLINGER 2.125 X 2.880 X 0.280	1.000 ea
HW5100A11	W3917-042 WVY WSHR (WB)	1.000 ea
10XN3118K80	.31-18 X 5.0 HEX HD CAP SCREW, GRADE 5	4.000 ea
HW1001A31	LOCKWASHER 5/16, ZINC PLT.591 OD, .319 I	4.000 ea
10EP1507A02	ENDPLATE, MACH W/312 BRG W/SLINGER RECES	1.000 ea
10XN3816K44	3/8-16 X 2.75 HEX HD CAP SCREW, GRADE 5	4.000 ea
HW1001A38	LOCKWASHER 3/8, ZINC PLT .688 OD, .382 I	4.000 ea
10FH1500A01	DRIP COVER, MACH	1.000 ea
HW3201A12	.50-13 EYEBOLT W/2.25 SHANK	2.000 ea
HW1001A50	LOCKWASHER 1/2, ZINC PLT,.879 OD, .509 I	2.000 ea
HW1000A50	1/2 SAE FLAT WASHERS	2.000 ea
10CB3501	CONDUIT BOX LID FOR 10CB3003, 10CB3004 &	1.000 ea
14GS1001	GASKET, CONDUIT BOX LID 314 FRAME	1.000 ea
10XN2520K16	1/4-20 X 1" HX HD SCRW GRADE 5, ZINC P	4.000 ea
HW1001A25	LOCKWASHER 1/4, ZINC PLT .493 OD, .255 I	4.000 ea
HW2501E11	KEY, 1/4 SQ X 1.125	1.000 ea
LB1182	WARNING LABEL FOR MOTORS WITH EYENUTS	2.000 ea

HW4500A03	GREASE FITTING, .125 NPT 1610(ALEMITE) 8	1.000 ea
HW4500A17	317400 ALEMITE GREASE RELIEF	1.000 ea
HA4051A00	PLASTIC CAP FOR GREASE FITTING	1.000 ea
MG1025G05	WILKOFAS, 789.227, MED. GRAY CHAR. MET.	0.200 ga
MJ1000A02	GREASE, POLYREX EM EXXON	0.130 lb
HW4500A03	GREASE FITTING, .125 NPT 1610(ALEMITE) 8	1.000 ea
HW4500A17	317400 ALEMITE GREASE RELIEF	1.000 ea
HA4051A00	PLASTIC CAP FOR GREASE FITTING	1.000 ea
85XU0407S04	4X1/4 U DRIVE PIN STAINLESS	4.000 ea
LB1624	WARNING LABEL	1.000 ea
LC0005	CONN.DIA.,TY M,9-LD,DUAL VOLT,REVERSING	1.000 ea
NP2138L	ALUM SUPER-E UL PREM CC (300	1.000 ea
12PA1030	PACKAGING GROUP PRINT PK1024A07	1.000 ea
PK6562A07	2X4 X 11 SPACER	2.000 ea
MN416A01	TAG-INSTAL-MAINT no wire (2500bx)4/22	1.000 ea

**AC Induction Motor Performance Data**

Record # 54996

Typical performance - not guaranteed values

Winding: 10WGZ473-R001		Type: 1072M	Enclosure: OPEN	
<b>Nameplate Data</b>			<b>460 V, 60 Hz: High Voltage Connection</b>	
Rated Output (HP)	30	Full Load Torque	88.8 LB-FT	
Volts	230/460	Start Configuration	direct on line	
Full Load Amps	72/36	Breakdown Torque	319 LB-FT	
R.P.M.	1770	Pull-up Torque	134 LB-FT	
Hz	60 Phase	Locked-rotor Torque	176 LB-FT	
NEMA Design Code	B KVA Code	Starting Current	263 A	
Service Factor (S.F.)	1.15	No-load Current	16.1 A	
NEMA Nom. Eff.	0 Power Factor	Line-line Res. @ 25°C	0.1944 Ω	
Rating - Duty	40C AMB-CONT	Temp. Rise @ Rated Load	45°C	
S.F. Amps		Temp. Rise @ S.F. Load	54°C	
		Locked-rotor Power Factor	30.8	

**Load Characteristics 460 V, 60 Hz, 30 HP**

% of Rated Load	25	50	75	100	125	150	S.F.
Power Factor	44	65	77	82	85	86	84
Efficiency	90.1	93.6	94.5	94.5	94.2	93.6	94.3
Speed	1794.4	1789.5	1783.6	1778.1	1771.9	1766	1774
Line amperes	18.2	22.7	29.3	36.3	44.1	52.5	41



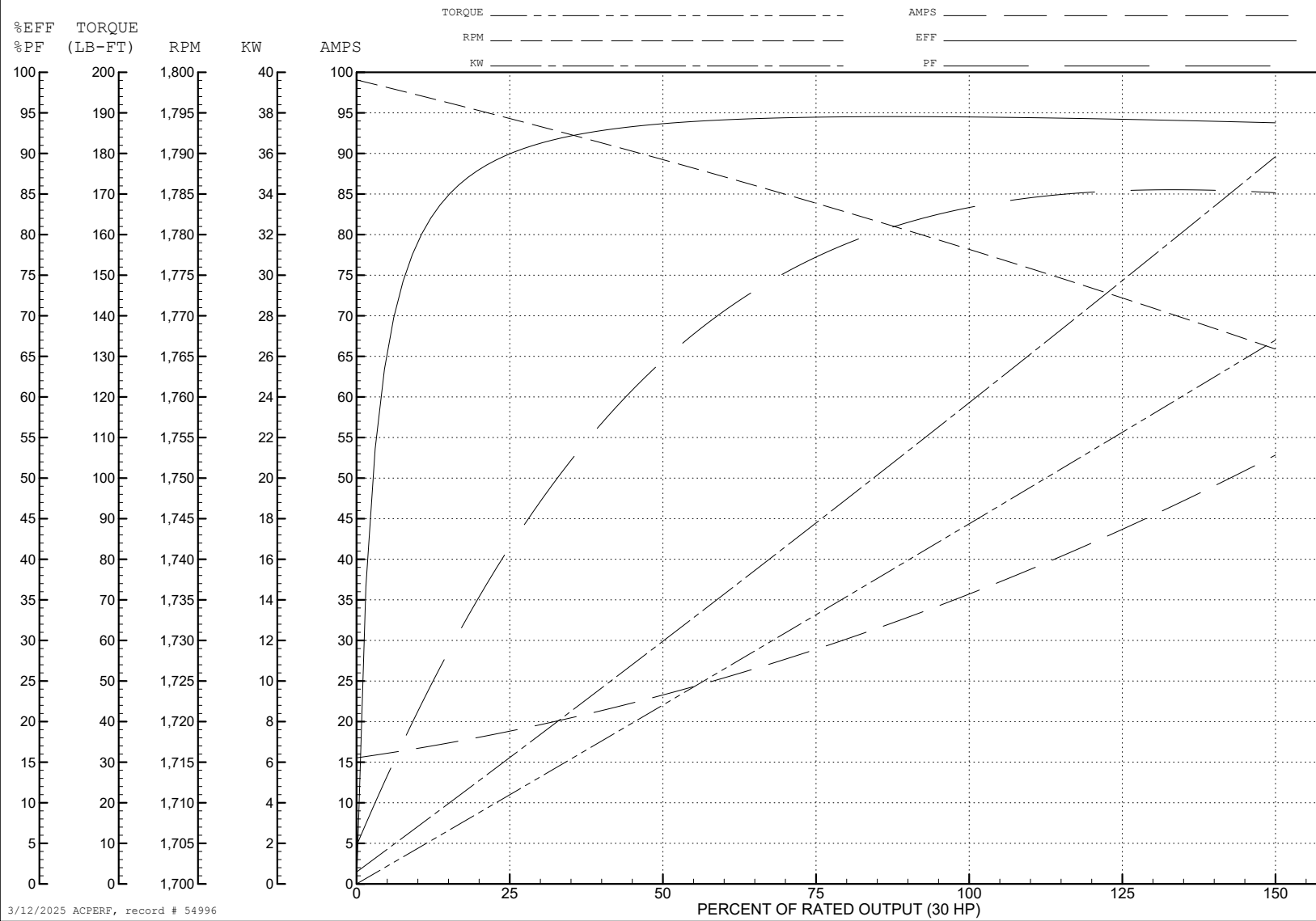
ABB Motors and Mechanical Inc.

WINDING # 10WGZ473

Typical performance - not guaranteed values.

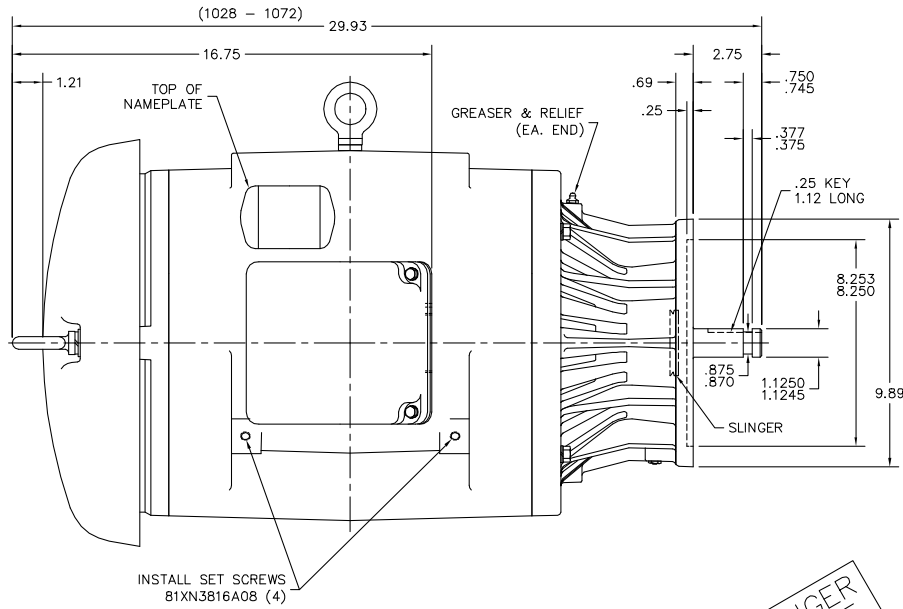
30 HP 3 PH 60 HZ 1770 RPM 460 V 1072M

TORQUES (LB-FT): PO=319 PU=134 LR=176 LRA=263

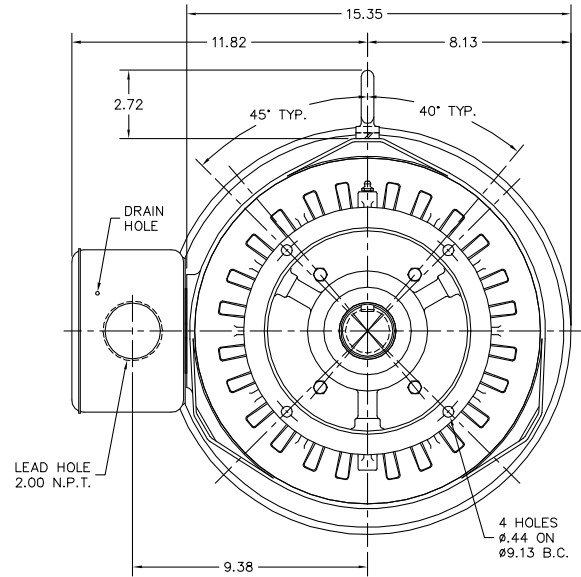


3/12/2025 ACPERF, record # 54996

10LYF886



NO LONGER AVAILABLE



10LYF886

CUSTOMER IS RESPONSIBLE FOR DETERMINING THAT THE PRODUCT WILL PERFORM SUITABLY IN THE INTENDED APPLICATION.

REV. DESC: NLA, PRODUCT LIFECYCLE		
REV. LTR: D	VERSION: 04	TDR: 000001189930
FILE: \AAA\00123\482	REVISED: 04:24:04 04/26/2022	BY: USODDIL
MTL: -		

**BALDOR - RELIANCE**®

VERT OPEN 284-6HP W/312 BRG  
SH 1 of 1

CD0005



LOW VOLTAGE  
(2Y)



LINE

HIGH VOLTAGE  
(1Y)



LINE

NOTES:

1. INTERCHANGE ANY TWO LINE LEADS TO REVERSE ROTATION.
2. OPTIONAL THERMOSTATS ARE PROVIDED WHEN SPECIFIED.
3. ACTUAL NUMBER OF INTERNAL PARALLEL CIRCUITS MAY BE A MULTIPLE OF THOSE SHOWN ABOVE.
4. LEAD COLORS ARE OPTIONAL. LEADS MUST ALWAYS BE NUMBERED AS SHOWN.

CD0005

REV. DESC: REVISE TO SHOW OPTIONAL COLORS			
REV. LTR: E	BY: JLP	REVISED: 01/19/99 10:15	TDR: 0171435
S00000		FILE: AAA00005140	MDL: -
		MTL: -	

**BALDOR ELECTRIC Co.**

3PH, DV, 9 LEADS