

**BALDOR • RELIANCE**

---

# Customer information packet

## 06F867Y461G1

5HP, 3440RPM, 3PH, 60HZ, 184HP, 0624M, ODP, W6

Class - None

Division - Not Applicable

## Specifications

Enclosure	ODP
Frame	184HP
Frame Material	Iron
Frequency	60.00 Hz
Haz Area Class and Group	None
Haz Area Division	Not Applicable
Motor Letter Type	Three Phase
Output @ Frequency	5.000 HP @ 60 HZ
Phase	3
Synchronous Speed @ Frequency	3600 RPM @ 60 HZ
Voltage @ Frequency	460.0 V @ 60 HZ 230.0 V @ 60 HZ
Agency Approvals	CSA CSA EEV UR
Ambient Temperature	40 °C
Auxillary Box	No Auxillary Box
Auxillary Box Lead Termination	None
Base Indicator	No Mounting
Bearing Grease Type	Polyrex EM (-20F +300F)
Blower	None
Current @ Voltage	12.600 A @ 208.0 V 5.600 A @ 460.0 V 11.300 A @ 230.0 V
Design Code	B
Drip Cover	Drip Cover
Duty Rating	CONT
Efficiency @ 100% Load	86.5 %
Electrically Isolated Bearing	Not Electrically Isolated
Feedback Device	NO FEEDBACK
Front Face Code	Standard
Front Shaft Indicator	None

## Part detail

Revision	G
Type	AC
Mech. spec.	06F867
Base	
Status	NLA/A
Elec. spec.	06WGY461
Layout	06LYF867
Eff. date	03-02-2022
CD Diagram	CD0005
Poles	02
Leads	9#16
Proprietary	False
Created date	07-07-2015

Heater Indicator	No Heater
High Voltage Full Load Amps	5.6 a
Insulation Class	F
Inverter Code	Not Inverter
KVA Code	J
Lifting Lugs	Vertical Lifting Lugs
Locked Bearing Indicator	Locked Bearing
Motor Lead Exit	Ko Box
Motor Lead Quantity/Wire Size	9 @ 16 AWG
Motor Lead Termination	Flying Leads
Motor Standards	NEMA
Motor Type	0624M
Mounting Arrangement	W6
Number of Poles	2
Overall Length	21.33 IN
Power Factor	93
Product Family	Weather Proof
Pulley End Bearing Type	Ball
Pulley Face Code	P-Base
Pulley Shaft Indicator	Standard
Rodent Screen	None
Service Factor	1.15
Shaft Diameter	1.125 IN
Shaft Extension Location	Pulley End
Shaft Ground Indicator	No Shaft Grounding
Shaft Rotation	Reversible
Shaft Slinger Indicator	No Slinger
Speed	3440 rpm
Speed Code	Single Speed
Starting Method	Direct on line
Thermal Device - Bearing	None
Thermal Device - Winding	None
Vibration Sensor Indicator	No Vibration Sensor
Winding Thermal 1	None

**Winding Thermal 2**

**None**

---

**Nameplate**

<b>NP1267L</b>									
<b>CAT.NO.</b>									
<b>SPEC.</b>	06F867Y461G1								
<b>HP</b>	5								
<b>VOLTS</b>	230/460								
<b>AMP</b>	11.3/5.6								
<b>RPM</b>	3440								
<b>FRAME</b>	184HP	<b>HZ</b>	60	<b>PH</b>	3				
<b>SER.F.</b>	1.15	<b>CODE</b>	J	<b>DES</b>	B	<b>CL</b>	F		
<b>NEMA-NOM-EFF</b>	86.5	<b>PF</b>	93						
<b>RATING</b>	40C AMB-CONT								
<b>CC</b>	010A								
<b>DE</b>	6308	<b>ODE</b>	6205						
<b>ENCL</b>	ODP	<b>SN</b>							

## Parts list

Part number	Description	Quantity
SA303718	SA 06F867Y461G1	1.000 ea
RA290860	RA 06F867Y461G1	1.000 ea
HW3201A05	3/8-16 EYEBOLT	1.000 ea
06CB3000B01	KO BOX MACH. W/.75 NPT. HOLE @ 6:00	1.000 ea
06GS1000	GASKET,CONDUIT BOX	1.000 ea
51XW2520A12	SCREW, HEX SER SLT HD, ZN, 1/4-20 X .75	4.000 ea
WD1000B17	T&B CX35TN OR L35P TERMINAL LUG	1.000 ea
10XN2520G06	1/4 20X3/8 HX HD CAP, GREEN	1.000 ea
HW1001A25	LOCKWASHER 1/4, ZINC PLT .493 OD, .255 I	1.000 ea
06EP1200A01	FREP MACH OPEN	1.000 ea
10XN2520A44	1/4 -20 X 2 3/4 HS WS SL SR	4.000 ea
HW1001A25	LOCKWASHER 1/4, ZINC PLT .493 OD, .255 I	4.000 ea
HW4500A03	GREASE FITTING, .125 NPT 1610(ALEMITE) 8	1.000 ea
HW4500A17	317400 ALEMITE GREASE RELIEF	1.000 ea
06AD2000G	AIR DEFLECTOR, 306 OPEN, GREY EPOXY POWD	1.000 ea
51XT0832A08	8-32 X 1/2 TY23 HXWS SLDSR	3.000 ea
HW1001A08	WASHER, #8 SPLT LK, ZN	3.000 ea
HW5100A05	WVY WSHR F/205 & 304 BRGS	1.000 ea
10XN2520A56	1/4-20X 3 1/2 HEX HD CAP X	2.000 ea
HW1001A25	LOCKWASHER 1/4, ZINC PLT .493 OD, .255 I	2.000 ea
06EP1503A02	SPL PU E.P. MACH, W/6308 BRG.	1.000 ea
HW4600A47	CR#13535--NAT#472354 OR TRANSCOM	1.000 ea
10XN2520A36	1/4-20X 2 1/4 HEX HD X	4.000 ea
HW1001A25	LOCKWASHER 1/4, ZINC PLT .493 OD, .255 I	4.000 ea
HW4500A03	GREASE FITTING, .125 NPT 1610(ALEMITE) 8	1.000 ea
HW4500A17	317400 ALEMITE GREASE RELIEF	1.000 ea
HW4500A20	1/8NPT SL PIPE PLUG	1.000 ea
06CB3500	BALDOR CONDUIT BOX LID	1.000 ea
06GS1001	BALDOR CONDUIT BOX GASKET	1.000 ea
51XW2520A12	SCREW, HEX WS SLT, ZN	2.000 ea
HW1001A25	LOCKWASHER 1/4, ZINC PLT .493 OD, .255 I	2.000 ea

06FH1500A01	DRIP COVER FOR 306 OPEN	1.000 ea
HW3201A15	.38-16 EYEBOLT W/1.25 SHANK	2.000 ea
HW1000A38	WASHER, 3/8" FLAT, SAE Z/P	2.000 ea
HW4600C51	31X39X7.5MM FACE SEAL FOR 1.375 DIA. SH	1.000 ea
HW2501E16	KEY, 1/4 SQ X 1.750	1.000 ea
HA7000A02	KEY RETAINER RING, 1 1/8 DIA, 1 3/8 DIA	1.000 ea
LB1386	WARNING LABEL FOR MOTORS WITH EYENUTS	1.000 ea
85XU0407S04	4X1/4 U DRIVE PIN STAINLESS	2.000 ea
LB1115N	LABEL,LIFTING DEVICE (ON ROLLS)	1.000 ea
MJ1000A02	GREASE, POLYREX EM EXXON	0.050 lb
MG1025G29	WILKOFAS, 789.229, DARK CHARCOAL GRAY	0.028 ga
LC0005E01	CONN.DIA./WARNING LABEL (LC0005/LB1119N)	1.000 ea
NP1267L	SS SUPER-E UL EEV CC NEMA PREM LASER ETC	1.000 ea
07PA1011	PKG GRP, 07 CAST IRON PK1181	1.000 ea
MN416A01	TAG-INSTAL-MAINT no wire (2500bx)4/22	1.000 ea

**AC Induction Motor Performance Data**

Record # 51679

Typical performance - not guaranteed values

Winding: 06WGY461-R001		Type: 0624M	Enclosure: ODP	
<b>Nameplate Data</b>			<b>460 V, 60 Hz: High Voltage Connection</b>	
Rated Output (HP)	5	Full Load Torque	7.62 LB-FT	
Volts	230/460	Start Configuration	direct on line	
Full Load Amps	11.3/5.6	Breakdown Torque	28.1 LB-FT	
R.P.M.	3440	Pull-up Torque	17.8 LB-FT	
Hz	60 Phase	Locked-rotor Torque	21.4 LB-FT	
NEMA Design Code	B KVA Code	Starting Current	46.2 A	
Service Factor (S.F.)	1.15	No-load Current	1.53 A	
NEMA Nom. Eff.	86.5 Power Factor	Line-line Res. @ 25°C	3.22 Ω	
Rating - Duty	40C AMB-CONT	Temp. Rise @ Rated Load	61°C	
S.F. Amps		Temp. Rise @ S.F. Load	78°C	
		Locked-rotor Power Factor	47.9	
		Rotor inertia	0.107 LB-FT <sup>2</sup>	

**Load Characteristics 460 V, 60 Hz, 5 HP**

% of Rated Load	25	50	75	100	125	150	S.F.
Power Factor	66	85	91	93	94	94	94
Efficiency	87.4	90.5	90.1	88.7	86.7	84.2	87.5
Speed	3566	3532	3493	3452	3408	3355	3426
Line amperes	2.03	3.03	4.31	5.68	7.16	8.83	6.57



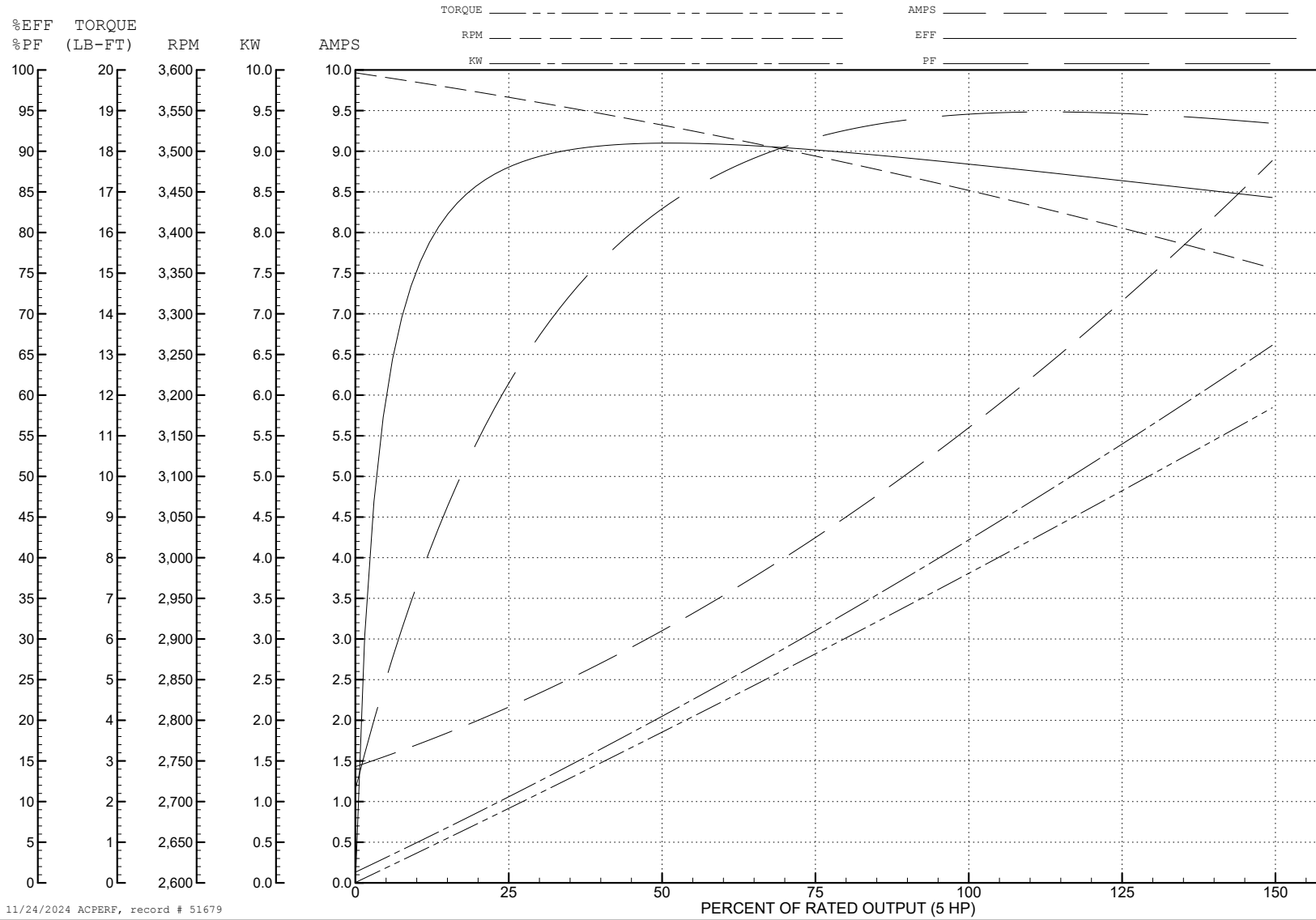
ABB Motors and Mechanical Inc.

WINDING # 06WGY461

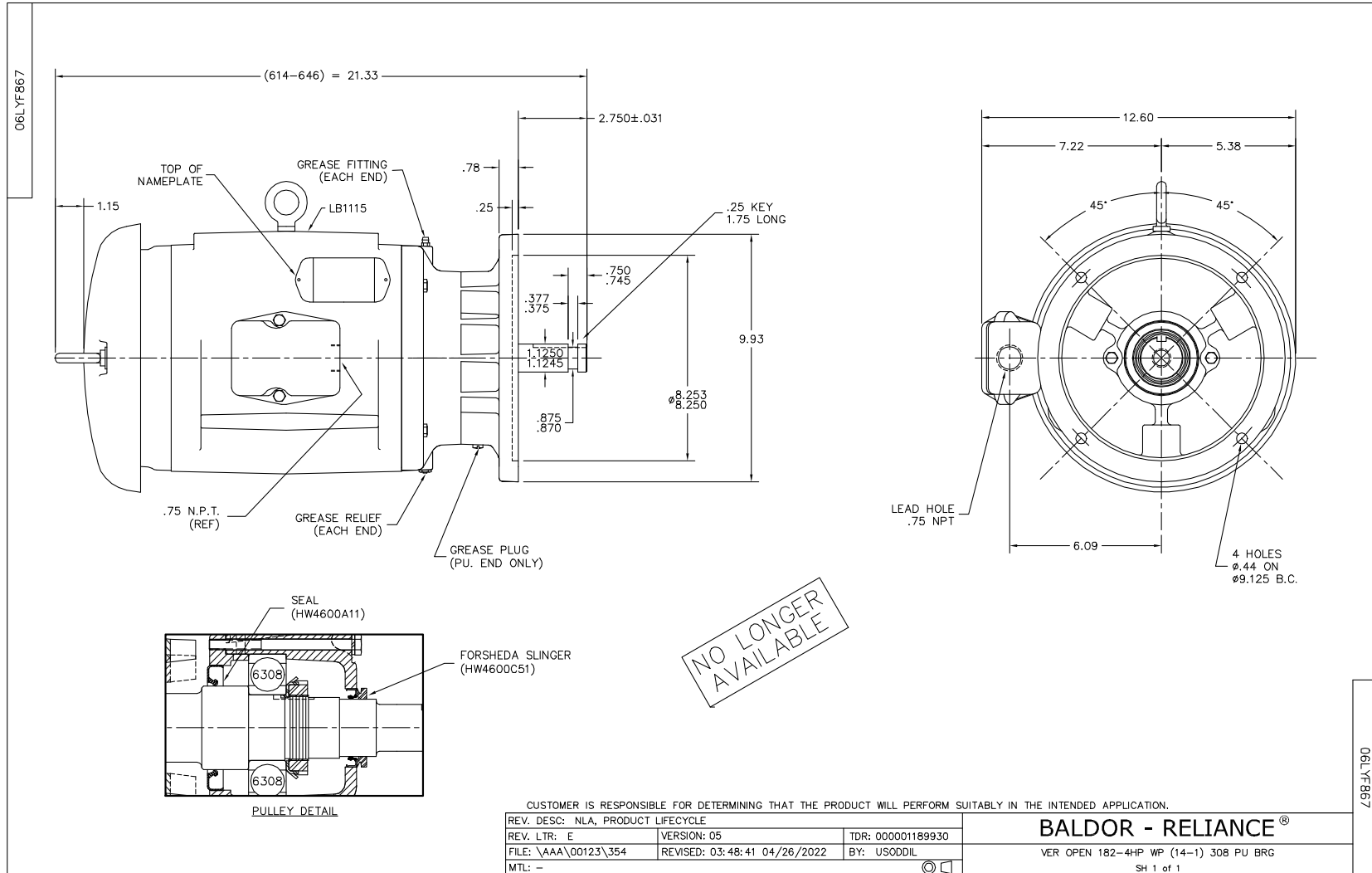
5 HP 3 PH 60 HZ 3440 RPM 460 V 0624M

Typical performance - not guaranteed values.

TORQUES (LB-FT): PO=28.1 PU=17.8 LR=21.4 LRA=46.2



11/24/2024 ACPERF, record # 51679



CD0005

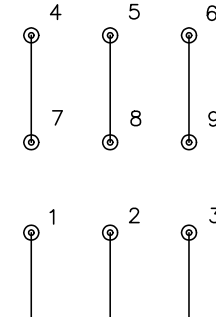


LOW VOLTAGE  
(2Y)



LINE

HIGH VOLTAGE  
(1Y)



LINE

NOTES:

1. INTERCHANGE ANY TWO LINE LEADS TO REVERSE ROTATION.
2. OPTIONAL THERMOSTATS ARE PROVIDED WHEN SPECIFIED.
3. ACTUAL NUMBER OF INTERNAL PARALLEL CIRCUITS MAY BE A MULTIPLE OF THOSE SHOWN ABOVE.
4. LEAD COLORS ARE OPTIONAL. LEADS MUST ALWAYS BE NUMBERED AS SHOWN.

CD0005

REV. DESC: REVISE TO SHOW OPTIONAL COLORS			
REV. LTR: E	BY: JLP	REVISED: 01/19/99 10:15	TDR: 0171435
S00000		FILE: AAA00005140	MDL: -
		MTL: -	

**BALDOR ELECTRIC Co.**

3PH, DV, 9 LEADS