

BALDOR • RELIANCE

Customer information packet

07K218Y361G1

10HP, 3490RPM, 3PH, 60HZ, 213HP, 0730M, ODP, F1

Class - None

Division - Not Applicable

Specifications

Enclosure	ODP
Frame	213HP
Frame Material	Iron
Frequency	60.00 Hz
Haz Area Class and Group	None
Haz Area Division	Not Applicable
Motor Letter Type	Three Phase
Output @ Frequency	10.000 HP @ 60 HZ
Phase	3
Synchronous Speed @ Frequency	3600 RPM @ 60 HZ
Voltage @ Frequency	460.0 V @ 60 HZ 230.0 V @ 60 HZ
Agency Approvals	CSA CSA EEV UR
Ambient Temperature	40 °C
Auxillary Box	No Auxillary Box
Auxillary Box Lead Termination	None
Base Indicator	No Mounting
Bearing Grease Type	Polyrex EM (-20F +300F)
Blower	None
Current @ Voltage	22.400 A @ 230.0 V 24.200 A @ 208.0 V 11.200 A @ 460.0 V
Design Code	B
Drip Cover	Drip Cover
Duty Rating	CONT
Efficiency @ 100% Load	89.5 %
Electrically Isolated Bearing	Not Electrically Isolated
Feedback Device	NO FEEDBACK
Front Face Code	Standard
Front Shaft Indicator	None

Part detail

Revision	F
Type	AC
Mech. spec.	07K218
Base	
Status	NLA/A
Elec. spec.	07WGY361
Layout	07LYK218
Eff. date	03-02-2022
CD Diagram	CD0005
Poles	02
Leads	9#14
Proprietary	False
Created date	07-07-2015

Heater Indicator	No Heater
High Voltage Full Load Amps	11.2 a
Insulation Class	F
Inverter Code	Inverter Ready
KVA Code	G
Lifting Lugs	Vertical Lifting Lugs
Locked Bearing Indicator	Locked Bearing
Motor Lead Exit	Ko Box
Motor Lead Quantity/Wire Size	9 @ 14 AWG
Motor Lead Termination	Flying Leads
Motor Standards	NEMA
Motor Type	0730M
Mounting Arrangement	F1
Number of Poles	2
Overall Length	23.73 IN
Power Factor	87
Product Family	Weather Proof
Pulley End Bearing Type	Ball
Pulley Face Code	P-Base
Pulley Shaft Indicator	P-Base Groove & Key
Rodent Screen	None
Service Factor	1.15
Shaft Diameter	1.125 IN
Shaft Extension Location	Pulley End
Shaft Ground Indicator	No Shaft Grounding
Shaft Rotation	Reversible
Shaft Slinger Indicator	Shaft Slinger
Speed	3490 rpm
Speed Code	Single Speed
Starting Method	Direct on line
Thermal Device - Bearing	None
Thermal Device - Winding	None
Vibration Sensor Indicator	No Vibration Sensor
Winding Thermal 1	None

Winding Thermal 2

None

Nameplate

NP1267L									
CAT.NO.									
SPEC.	07K218Y361G1								
HP	10								
VOLTS	230/460								
AMP	22.4/11.2								
RPM	3490								
FRAME	213HP	HZ	60	PH	3				
SER.F.	1.15	CODE	G	DES	B	CL	F		
NEMA-NOM-EFF	89.5	PF	87						
RATING	40C AMB-CONT								
CC	010A								
DE	6309	ODE	6206						
ENCL	ODP	SN							

Parts list

Part number	Description	Quantity
SA303721	SA 07K218Y361G1	1.000 ea
RA290863	RA 07K218Y361G1	1.000 ea
HW3201A05	3/8-16 EYEBOLT	1.000 ea
09CB3002A19	CB MACH - 1.50 N.P.T. LEAD HOLE	1.000 ea
09GS1000	GASKET-CONDUIT BOX, 1/16 THICK LEXIDE	1.000 ea
10XN2520A12	1/4-20 X 3/4 HEX HEAD CAP	4.000 ea
HW1001A25	LOCKWASHER 1/4, ZINC PLT .493 OD, .255 I	4.000 ea
59XW2520G07	.25-20X.44,HEX SER WSHR,TAPTITE 2,GREEN	1.000 ea
07EP1200A01	FRONT END PLATE,MACH	1.000 ea
07AD2000	AIR DEFLECTOR, 307 OPEN P-BASE	1.000 ea
51XT0832A08	8-32 X 1/2 TY23 HXWS SLDSR	3.000 ea
HW1001A08	WASHER, #8 SPLT LK, ZN	3.000 ea
10XN3816A60	3/8-16 X 3-3/4 HEX HD CAPSCREW,GRADE 2,Z	2.000 ea
HW1001A38	LOCKWASHER 3/8, ZINC PLT .688 OD, .382 I	2.000 ea
09CB3501SP	CONDUIT BOX LID FOR 09CB3001 & 09CB3002	1.000 ea
HW4500A03	GREASE FITTING, .125 NPT 1610(ALEMITE) 8	1.000 ea
HW4500A17	317400 ALEMITE GREASE RELIEF	1.000 ea
HW5100A06	W2420-025 WVY WSHR (WB)	1.000 ea
07EP1505A02	SPL PU E.P. MACH, W/6309 BRG.	1.000 ea
HW4600B53	SEAL 1.688 X 2.275 X 0.312 SINGLE LIP DB	1.000 ea
HW4500A03	GREASE FITTING, .125 NPT 1610(ALEMITE) 8	1.000 ea
HW4500A17	317400 ALEMITE GREASE RELIEF	1.000 ea
HW4500A20	1/8NPT SL PIPE PLUG	1.000 ea
10XN2520A56	1/4-20X 3 1/2 HEX HD CAP X	2.000 ea
HW1001A25	LOCKWASHER 1/4, ZINC PLT .493 OD, .255 I	2.000 ea
HW4600B44	V-RING SLINGER 1.500 X 1.810 X .28 VITON	1.000 ea
07FH1500A01	DRIP COVER 307 OPEN P-BASE MTRS	1.000 ea
HW3201A10	.38-16 EYEBOLT W/4.50 SHANK	2.000 ea
HW1000A38	WASHER, 3/8" FLAT, SAE Z/P	2.000 ea
10XN3816A44	3/8-16 X 2 3/4 HEX HD CAP SCREW	4.000 ea
HW1001A38	LOCKWASHER 3/8, ZINC PLT .688 OD, .382 I	4.000 ea

09GS1013SP	GS FOR 09CB3501, 12CB1500 & 12CB1503 LID	1.000 ea
51XW2520A12	.25-20 X .75, TAPTITE II, HEX WSHR SLTD	2.000 ea
HW1001A25	LOCKWASHER 1/4, ZINC PLT .493 OD, .255 I	2.000 ea
HW2501E17	.250 SQUARE X 1.875 LONG LOW CARBON STEE	1.000 ea
HA7000A02	KEY RETAINER RING, 1 1/8 DIA, 1 3/8 DIA	1.000 ea
85XU0407S04	4X1/4 U DRIVE PIN STAINLESS	2.000 ea
LB1386	WARNING LABEL FOR MOTORS WITH EYENUTS	1.000 ea
MJ1000A02	GREASE, POLYREX EM EXXON	0.050 lb
MG1025G29	WILKOFAS, 789.229, DARK CHARCOAL GRAY	0.036 ga
LC0005E01	CONN.DIA./WARNING LABEL (LC0005/LB1119N)	1.000 ea
NP1267L	SS SUPER-E UL EEV CC NEMA PREM LASER ETC	1.000 ea
07PA1011	PKG GRP, 07 CAST IRON PK1181	1.000 ea
10XL3808A28	3/8 X 1 3/4" LAG SCREW	2.000 ea
MN416A01	TAG-INSTAL-MAINT no wire (2500bx)4/22	1.000 ea

AC Induction Motor Performance Data

Record # 57261

Typical performance - not guaranteed values

Winding: 07WGY361-R004		Type: 0730M	Enclosure: ODP	
Nameplate Data			460 V, 60 Hz: High Voltage Connection	
Rated Output (HP)	10	Full Load Torque	15 LB-FT	
Volts	230/460	Start Configuration	direct on line	
Full Load Amps	22.4/11.2	Breakdown Torque	50.8 LB-FT	
R.P.M.	3490	Pull-up Torque	19.3 LB-FT	
Hz	60 Phase	Locked-rotor Torque	26.8 LB-FT	
NEMA Design Code	B KVA Code	Starting Current	72.6 A	
Service Factor (S.F.)	1.15	No-load Current	3.34 A	
NEMA Nom. Eff.	89.5 Power Factor	Line-line Res. @ 25°C	0.995 Ω	
Rating - Duty	40C AMB-CONT	Temp. Rise @ Rated Load	60°C	
S.F. Amps		Temp. Rise @ S.F. Load	75°C	
		Locked-rotor Power Factor	32.6	
		Rotor inertia	0.273 LB-FT ²	

Load Characteristics 460 V, 60 Hz, 10 HP

% of Rated Load	25	50	75	100	125	150	S.F.
Power Factor	64	83	90	92	92	91	92
Efficiency	88.8	92	91.8	90.5	89.3	87.8	89.8
Speed	3575	3550	3524	3493	3458	3418	3472
Line amperes	4.15	6.08	8.55	11.2	14.3	17.6	13.1

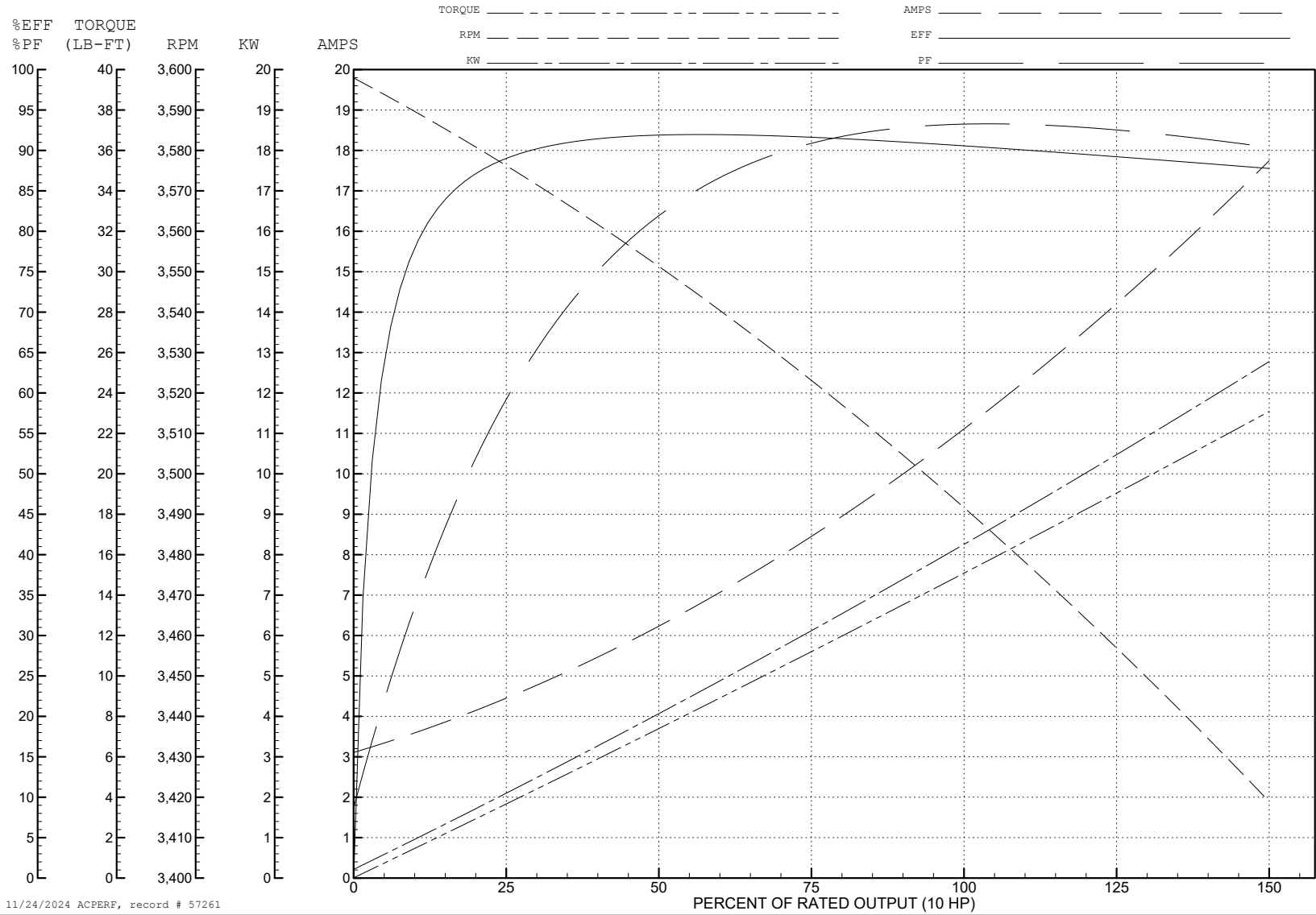
ABB Motors and Mechanical Inc.

WINDING # 07WGY361

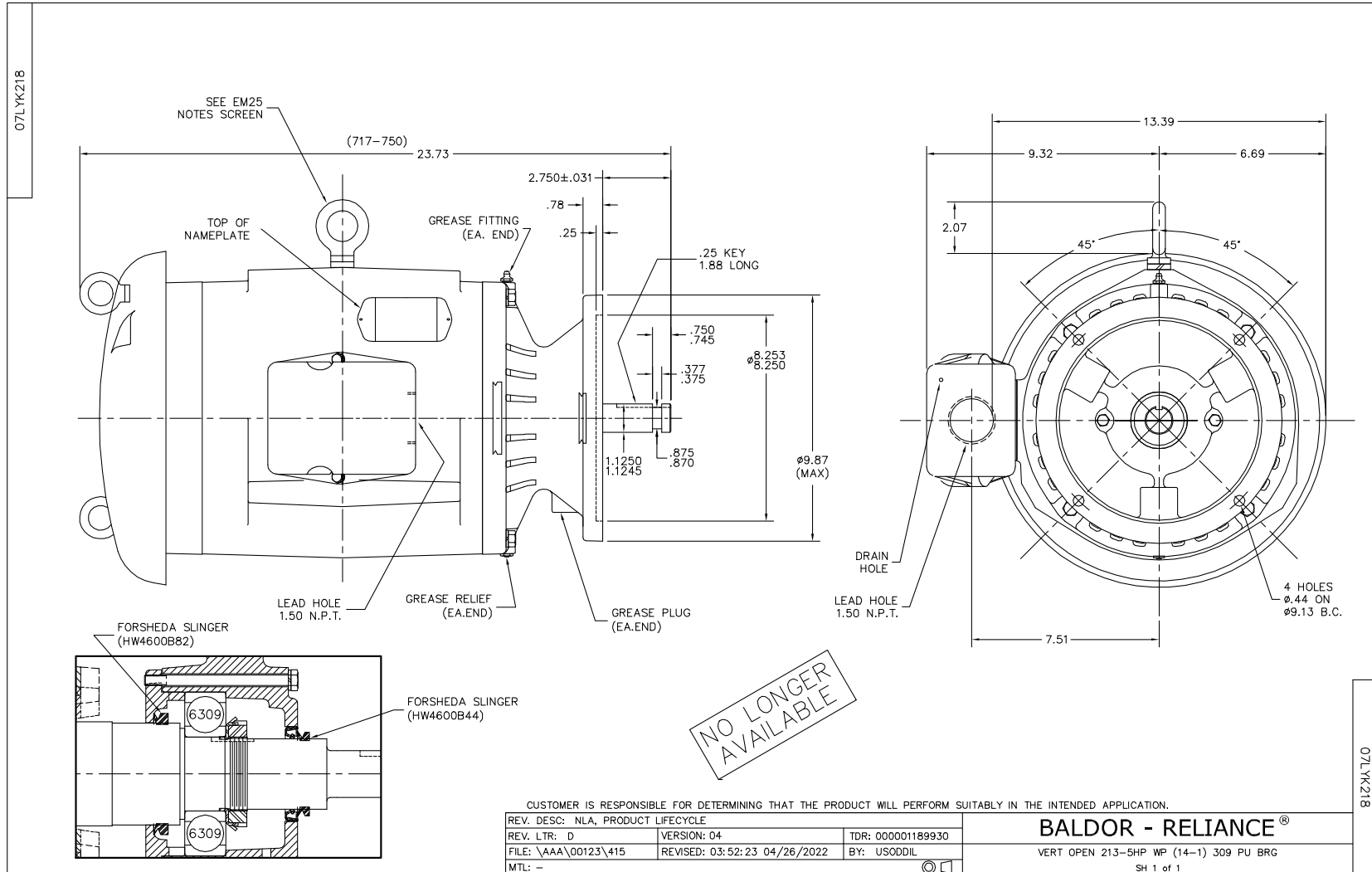
Typical performance - not guaranteed values.

10 HP 3 PH 60 HZ 3490 RPM 460 V 0730M

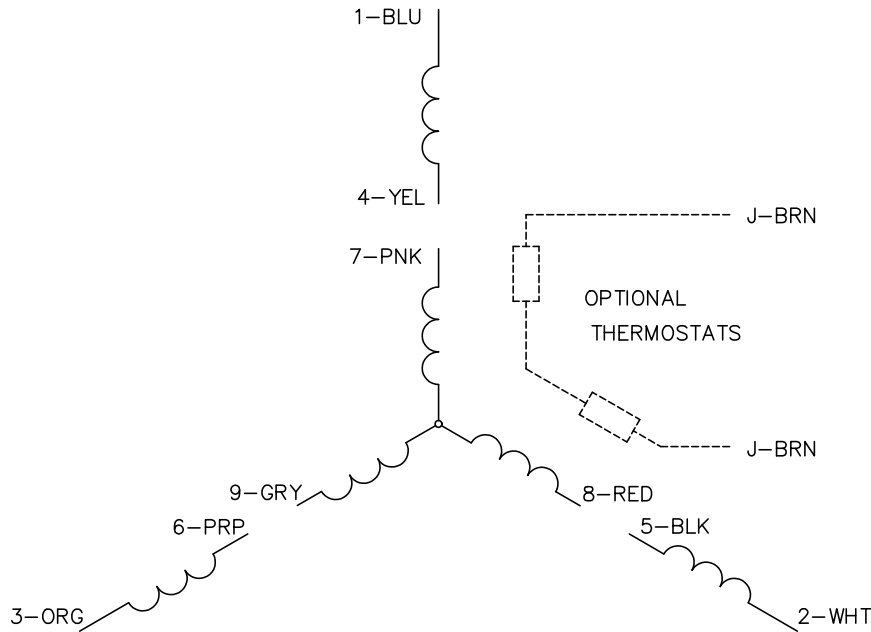
TORQUES (LB-FT): PO=50.8 PU=19.3 LR=26.8 LRA=72.6



11/24/2024 ACPERF, record # 57261



CD0005

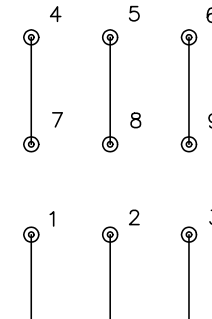


LOW VOLTAGE
(2Y)



LINE

HIGH VOLTAGE
(1Y)



LINE

NOTES:

1. INTERCHANGE ANY TWO LINE LEADS TO REVERSE ROTATION.
2. OPTIONAL THERMOSTATS ARE PROVIDED WHEN SPECIFIED.
3. ACTUAL NUMBER OF INTERNAL PARALLEL CIRCUITS MAY BE A MULTIPLE OF THOSE SHOWN ABOVE.
4. LEAD COLORS ARE OPTIONAL. LEADS MUST ALWAYS BE NUMBERED AS SHOWN.

CD0005

REV. DESC: REVISE TO SHOW OPTIONAL COLORS			
REV. LTR: E	BY: JLP	REVISED: 01/19/99 10:15	TDR: 0171435
S00000		FILE: AAA00005140	MDL: -
		MTL: -	

BALDOR ELECTRIC Co.

3PH, DV, 9 LEADS