



---

# Customer information packet

## VM3537-5

.5HP, 3450RPM, 3PH, 60HZ, 56C, 3410M, TEFC, F1

Class - None

Division - Not Applicable

## Specifications

Enclosure	TEFC
Frame	56C
Frame Material	Steel
Frequency	60.00 Hz
Haz Area Class and Group	None
Haz Area Division	Not Applicable
Motor Letter Type	Three Phase
Output @ Frequency	.500 HP @ 60 HZ
Phase	3
Synchronous Speed @ Frequency	3600 RPM @ 60 HZ
Voltage @ Frequency	575.0 V @ 60 HZ
Agency Approvals	UR CSA
Ambient Temperature	40 °C
Auxillary Box	No Auxillary Box
Auxillary Box Lead Termination	None
Base Indicator	No Mounting
Bearing Grease Type	Polyrex EM (-20F +300F)
Blower	None
Current @ Voltage	.800 A @ 575.0 V
Design Code	B
Drip Cover	No Drip Cover
Duty Rating	CONT
Efficiency @ 100% Load	68.0 %
Electrically Isolated Bearing	Not Electrically Isolated
Feedback Device	NO FEEDBACK
Front Face Code	Standard
Front Shaft Indicator	None
Heater Indicator	No Heater
High Voltage Full Load Amps	0.8 a
Insulation Class	B
Inverter Code	Not Inverter

## Part detail

Revision	X
Type	AC
Mech. spec.	34A063
Base	
Status	PRD/A
Elec. spec.	34WG0487
Layout	34LYA063
Eff. date	11-20-2024
CD Diagram	CD0006
Poles	02
Leads	3#18
Proprietary	False
Created date	01-01-0001

<b>KVA Code</b>	J
<b>Lifting Lugs</b>	No Lifting Lugs
<b>Locked Bearing Indicator</b>	Locked Bearing
<b>Motor Lead Exit</b>	Ko Box
<b>Motor Lead Quantity/Wire Size</b>	3 @ 18 AWG
<b>Motor Lead Termination</b>	Flying Leads
<b>Motor Standards</b>	NEMA
<b>Motor Type</b>	3410M
<b>Mounting Arrangement</b>	F1
<b>Number of Poles</b>	2
<b>Overall Length</b>	11.35 IN
<b>Power Factor</b>	63
<b>Product Family</b>	General Purpose
<b>Pulley End Bearing Type</b>	Ball
<b>Pulley Face Code</b>	C-Face
<b>Pulley Shaft Indicator</b>	Standard
<b>Rodent Screen</b>	None
<b>RoHS Status</b>	ROHS COMPLIANT
<b>Service Factor</b>	1.25
<b>Shaft Diameter</b>	0.625 IN
<b>Shaft Extension Location</b>	Pulley End
<b>Shaft Ground Indicator</b>	No Shaft Grounding
<b>Shaft Rotation</b>	Reversible
<b>Shaft Slinger Indicator</b>	No Slinger
<b>Speed</b>	3450 rpm
<b>Speed Code</b>	Single Speed
<b>Starting Method</b>	Direct on line
<b>Thermal Device - Bearing</b>	None
<b>Thermal Device - Winding</b>	None
<b>Vibration Sensor Indicator</b>	No Vibration Sensor
<b>Winding Thermal 1</b>	None
<b>Winding Thermal 2</b>	None

**Nameplate**

<b>NP1256L</b>									
<b>CAT.NO.</b>	VM3537-5								
<b>SPEC.</b>	34A63-487								
<b>HP</b>	.5								
<b>VOLTS</b>	575								
<b>AMP</b>	.8								
<b>RPM</b>	3450								
<b>FRAME</b>	56C		<b>HZ</b>	60		<b>PH</b>	3		
<b>SER.F.</b>	1.25	<b>CODE</b>	J	<b>DES</b>	B	<b>CLASS</b>	B		
<b>NEMA-NOM-EFF</b>	68	<b>PF</b>	63						
<b>RATING</b>	40C AMB-CONT								
<b>CC</b>									
<b>DE</b>	6203		<b>ODE</b>	6203					
<b>ENCL</b>	TEFC	<b>SN</b>							
	SFA 1								

## Parts list

Part number	Description	Quantity
SA009870	SA 34A63-487	1.000 ea
RA006315	RA 34A63-487	1.000 ea
NS2512A01	INSULATOR, CONDUIT BOX X	1.000 ea
34CB3002A	CB CAST W/.88 DIA HOLE	1.000 ea
34GS1029A01	GASKET, CONDUIT BOX	1.000 ea
51XB1016A07	10-16 X 7/16 HXWSSLD SERTYB	2.000 ea
11XW1032G06	10-32 X .38, TAPTITE II, HEX WSHR SLTD U	1.000 ea
34EP3102A01SP	FR ENDPLATE, MACH	1.000 ea
HW5100A03	WAVY WASHER (W1543-017)	1.000 ea
34EP3300A24SP	PU ENDPLATE, MACH	1.000 ea
51XN1032A20	10-32 X 1 1/4 HX WS SL SR	2.000 ea
34FN3002A01SP	EXTERNAL FAN, PLASTIC, .637/.639 HUB W/	1.000 ea
51XW1032A06	10-32 X .38, TAPTITE II, HEX WSHR SLTD S	3.000 ea
34CB4517	CB LID 4 MTG HOLES .22 DIA STAMPED, FOR	1.000 ea
34GS1031A01	GASKET, FLAT CONDUIT BOX LID (LEXIDE)	1.000 ea
51XW0832A07	8-32 X .44, TAPTITE II, HEX WSHR SLTD SE	4.000 ea
HW2501D13	KEY, 3/16 SQ X 1.375	1.000 ea
34FH4002A01SP	IEC FH NO GREASER PRIMED	1.000 ea
HA7000A04	KEY RETAINER 0.625 DIA SHAFTS	1.000 ea
MG1050G01	CELEROL MEDIUM CHARCOAL METALLIC GRAY	0.014 ga
85XU0407S04	4X1/4 U DRIVE PIN STAINLESS	2.000 ea
HA3100A12	THRUBOLT 10-32 X 7.375	4.000 ea
MN416A01	TAG-INSTAL-MAINT no wire (2500bx)4/22	1.000 ea
LB1624	COMBINED WARNING LABEL, ISO/ANSI PICTOGR	1.000 ea
LC0006	CONNECTION LABEL	1.000 ea
NP1256L	ALUM UL CC INDUSTRIAL MOTOR A60	1.000 ea
34PA1002	PKG GRP, PRINT PK1001A01	1.000 ea
PK3083	STYROFOAM PACKING CRADLE	1.000 ea
PK3088	MICROFOAM, 8"X"8 PERF. SHEETS	1.000 ea

**AC Induction Motor Performance Data**

Record # 6584

Typical performance - not guaranteed values

Winding: 34WG0487-R001		Type: 3410M	Enclosure: TEFC	
<b>Nameplate Data</b>			<b>575 V, 60 Hz: Single Voltage Motor</b>	
Rated Output (HP)	.5	Full Load Torque	0.75 LB-FT	
Volts	575	Start Configuration	direct on line	
Full Load Amps	.8	Breakdown Torque	3.4 LB-FT	
R.P.M.	3450	Pull-up Torque	2.7 LB-FT	
Hz	60 Phase	3	Locked-rotor Torque	3 LB-FT
NEMA Design Code	B KVA Code	J	Starting Current	4.8 A
Service Factor (S.F.)	1.25	No-load Current	0.72 A	
NEMA Nom. Eff.	68 Power Factor	63	Line-line Res. @ 25°C	56.4 Ω
Rating - Duty	40C AMB-CONT	Temp. Rise @ Rated Load	58°C	
S.F. Amps	1	Temp. Rise @ S.F. Load	69°C	

**Load Characteristics 575 V, 60 Hz, 0.5 HP**

% of Rated Load	25	50	75	100	125	150	S.F.
Power Factor	33	44	56	64	70	77	70
Efficiency	41.4	56.3	64	67.2	68.4	68.5	68.4
Speed	3563	3535	3501	3466	3432	3381	3432
Line amperes	0.73	0.78	0.81	0.88	0.96	1.06	0.96

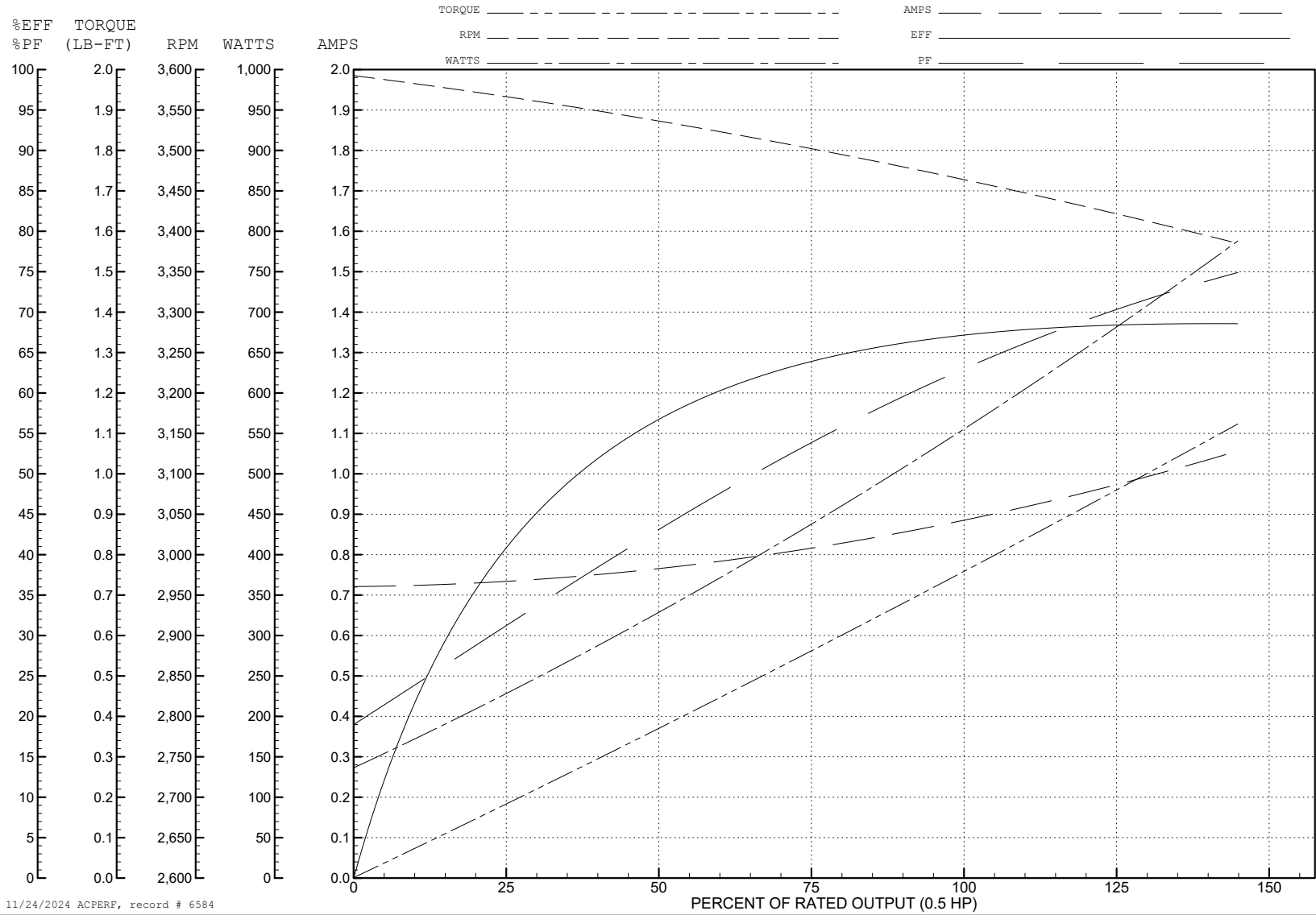
ABB Motors and Mechanical Inc.

WINDING # 34WG0487

Typical performance - not guaranteed values.

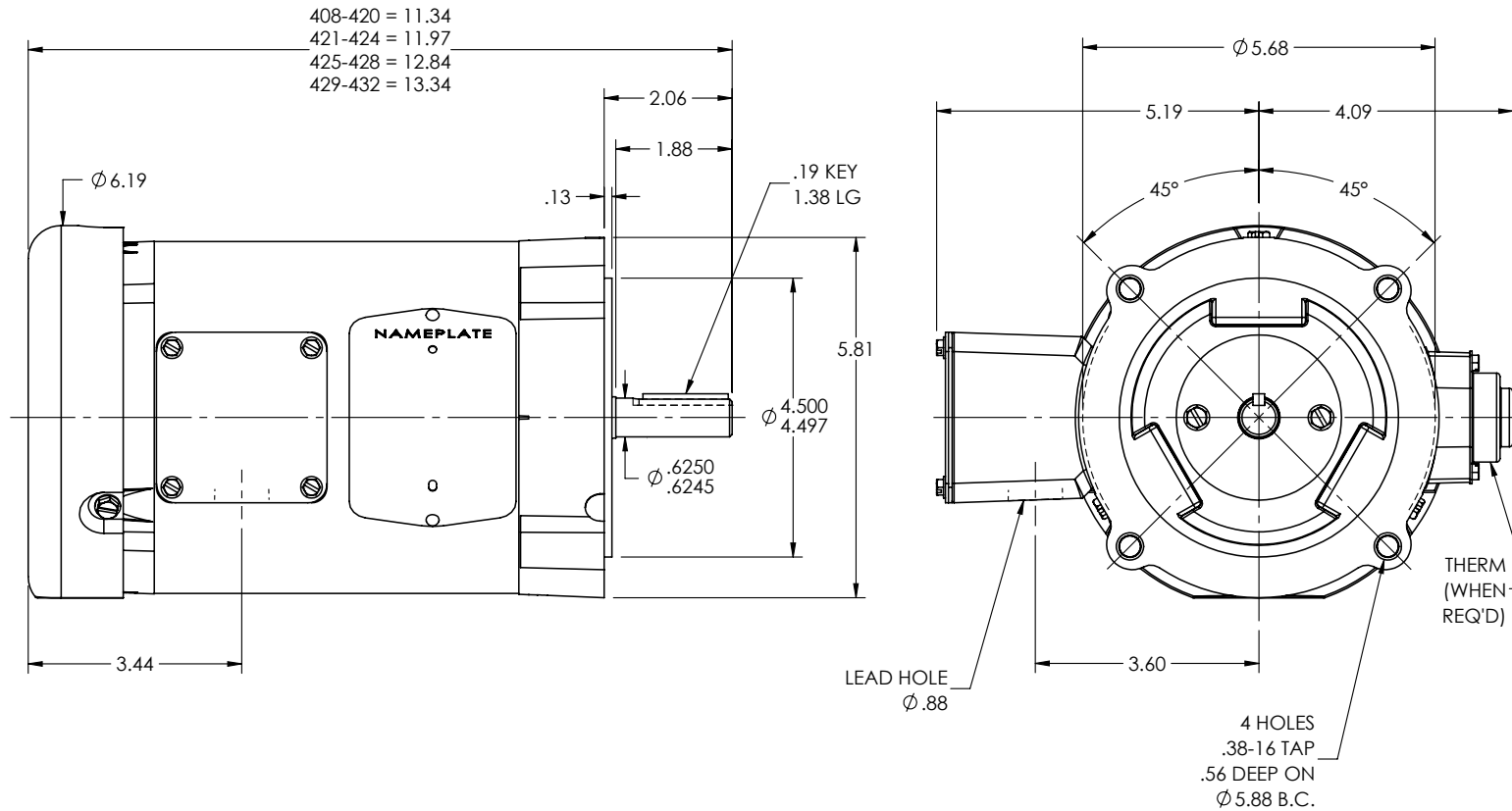
0.5 HP 3 PH 60 HZ 3450 RPM 575 V 3410M

TORQUES (LB-FT): PO=3.4 PU=2.7 LR=3 LRA=4.8



11/24/2024 ACPERF, record # 6584

34LYA063



CUSTOMER IS RESPONSIBLE FOR DETERMINING THAT THE PRODUCT WILL PERFORM SUITABLY IN THE INTENDED APPLICATION

REV. DESC: CLEAN UP DIMENSIONING

REV: P	VERSION: 05	REVISED: 08:51:08 10/31/2024	TDR: 000001243684
--------	-------------	------------------------------	-------------------

34LYA063	MODEL NO. 34LYA063	REF: -
	BY: ENJEFD0	

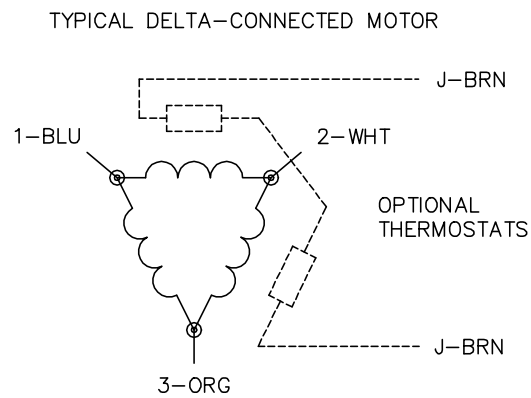
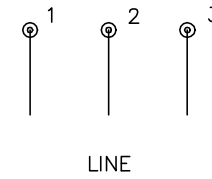
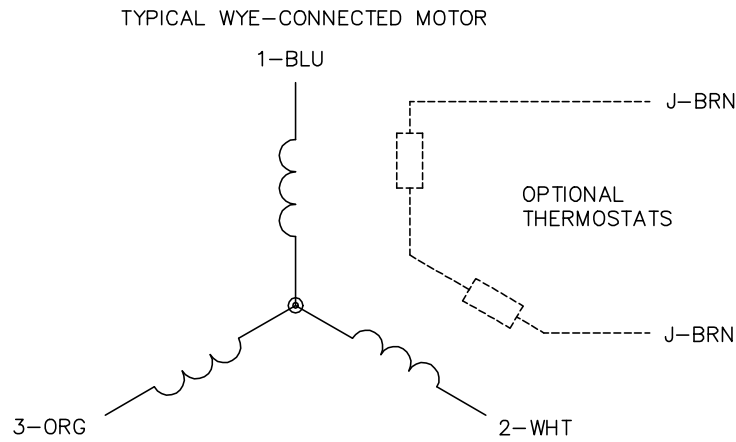
**BALDOR - RELIANCE®**

STD VERT 34M NEMA 56C TEFC

34LYA063



CD0006



NOTES:

1. THREE LEAD MOTOR MAY BE EITHER WYE CONNECTED OR DELTA CONNECTED.
2. INTERCHANGE ANY TWO LINE LEADS TO REVERSE ROTATION.
3. OPTIONAL THERMOSTATS ARE PROVIDED WHEN SPECIFIED.
4. ACTUAL NUMBER OF INTERNAL PARALLEL CIRCUITS MAY VARY.
5. LEAD COLORS ARE OPTIONAL. LEADS MUST BE NUMBERED AS SHOWN.

CD0006

REV. DESC: ADD CLASS CONN00000007		
REV. LTR: E	VERSION: 01	TDR: 000001099922
FILE: \AAA\00005\141	REVISED: 10:24:49 02/19/2019	BY: ENBRIRO
MTL: -	© □	

**BALDOR - RELIANCE®**

3PH, SV, 3 LEADS, WYE OR DELTA CONNECTED

SH 1 of 1