

BALDOR • RELIANCE

Customer information packet

VPECP84313T-4

75HP, 3555RPM, 3PH, 60HZ, 365VP, TEFC, V1

Class - None

Division - Division II

Specifications

Enclosure	TEFC
Frame	365LP
Frame Material	Iron
Frequency	60.00 Hz
Haz Area Class and Group	None
Haz Area Division	Division II
Motor Letter Type	Three Phase
Output @ Frequency	75.000 HP @ 60 HZ
Phase	3
Synchronous Speed @ Frequency	3600 RPM @ 60 HZ
Voltage @ Frequency	460.0 V @ 60 HZ
Agency Approvals	CCSA US NEMA PREMIUM UR
Ambient Temperature	40 °C
Auxillary Box	No Auxillary Box
Base Indicator	No Mounting
Bearing Grease Type	Polyrex EM (-20F +300F)
Constant Torque Speed Range	15-60
Current @ Voltage	81.500 A @ 460.0 V
Design Code	B
Drip Cover	Drip Cover
Duty Rating	CONT
Efficiency @ 100% Load	93.6 %
Enclosure Modification	841
Feedback Device	NO FEEDBACK
Haz Area Temp Code	T3
Heater Indicator	No Heater
High Voltage Full Load Amps	81.5 a
Insulation Class	F
Inverter Code	Inverter Ready
IP Rating	IP56

Part detail

Revision	D
Type	AC
Mech. spec.	
Base	
Status	PRD/A
Elec. spec.	A36WG1544
Layout	617428-660
Eff. date	03-15-2024
CD Diagram	416820-036
Poles	02
Leads	3#2
Proprietary	False
Created date	02-28-2019

KVA Code	G
Lifting Lugs	Vertical Lifting Lugs
Motor Lead Quantity/Wire Size	3 @ 2 AWG
Motor Standards	NEMA
Motor Type	A36068M
Mounting Arrangement	V1
No Load Current	15.5 a
Number of Poles	2
Overall Length	37.27 IN
Power Factor	92
Product Family	Pump - Centrifugal
Pulley End Bearing Type	Ball
Service Factor	1.15
Shaft Diameter	2.124 IN
Shaft Ground Indicator	No Shaft Grounding
Shaft Rotation	Reversible
Shaft Slinger Indicator	No Slinger
Speed	3555 rpm
Speed Code	Single Speed
Starting Method	Direct on line
Thermal Device - Winding	None

Nameplate

000613007EX

CAT NO	VPECP84313T-4	SPEC NO.	A36-9017-1544	
NO. ROTOR BARS	38	GREASE TYPE	POLYREX EM	
NO. SLOTS	48	NL AMPS AT RATED VOLTAGE	15.5	
5 YEAR WARRANTY		WINDING RES @25 C	.0744	OHMS
MFG. DATE		SER.NO		
	SFA 94.3			

NP4566

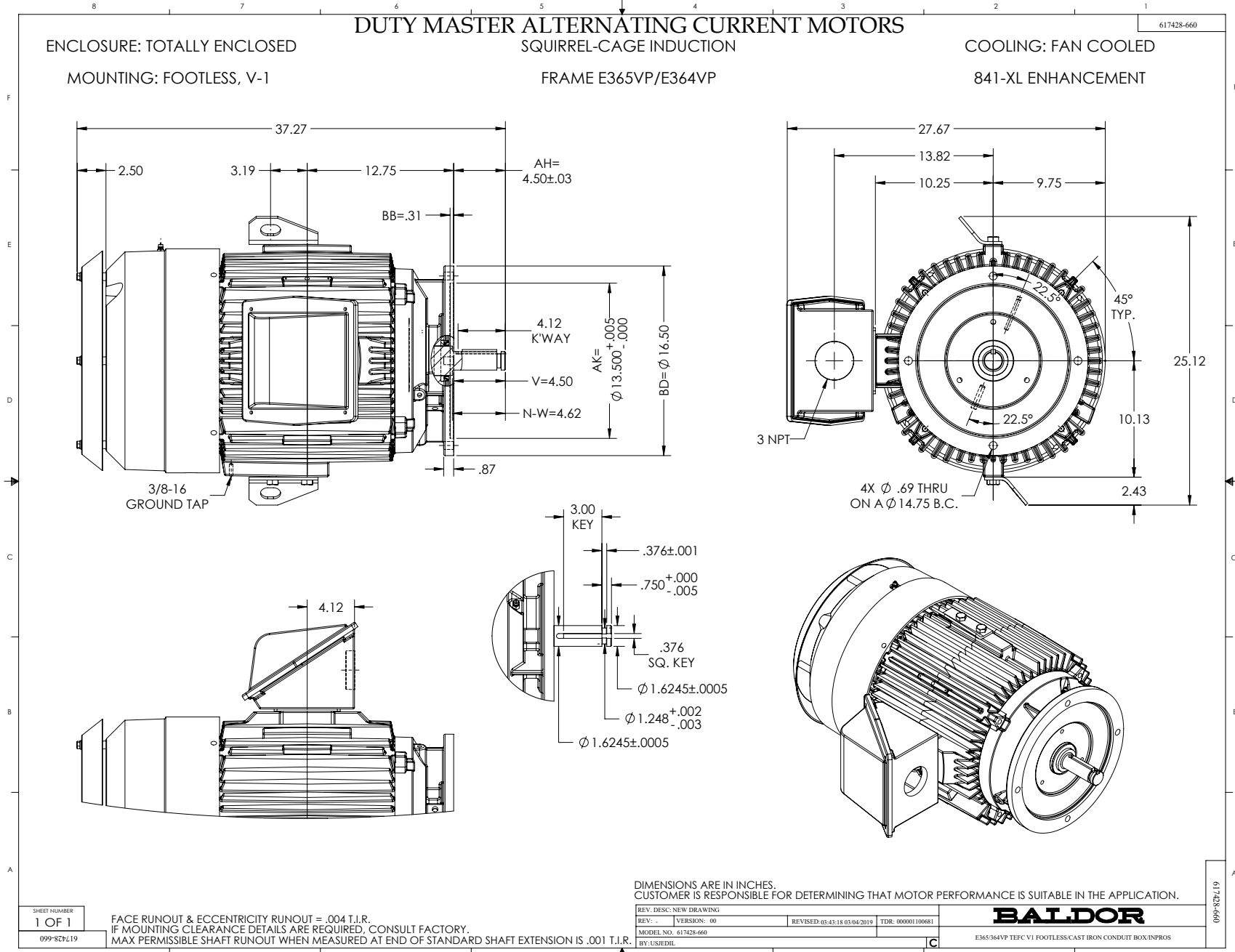
CAT NO	VPECP84313T-4	SPEC NO.	A36-9017-1544						
HP	75	AMPS	81.5	VOLTS	460	DESIGN	B		
FRAME SIZE	365VP	RPM	3555	HZ	60	AMB	40	SF	1.15
D.E. BRG.DATA	6313	O.D.E. BRG.DATA	7310	PH	3	DUTY	CONT	INSUL.CLASS	F
D.E. BRG.	65BC03JP30X	TYPE	ENCL	TEFC	CODE	G			
O.D.E. BRG.	BA2B_459310	POWER FACTOR	92	NEMA-NOM-EFFICIENCY	93.6				
3/4 LOAD EFF.	94.0	IP	56	MAX CORR KVAR	5	GUARANTEED EFFICIENCY	92.4		
TEMP CODE	T3	TEMP =	200						
CHP HZ	60-75	CT HZ	15-60	VT HZ	0-60				
INVERTER-TEMP-CODE	T3								
SER.NO.		MOTOR WEIGHT							

Parts list

Part number	Description	Quantity
SA367696	SA A36-9017-1544	1.000 ea
RA357172	RA A36-9017-1544	1.000 ea
421948051	LABEL, MYLAR	1.000 ea
000613006PU	N/P (RELEASE QTY 10,000) UL CSA LABEL	1.000 ea
000613007EX	SS IEEE 841 EMBOSSED AUXILIARY NAMEPLATE	1.000 ea
000692000VH	N/P (RELEASE 1000 PCS)	1.000 ea
000692000FF	N/P	1.000 ea
000692000VD	LABEL WARNING	1.000 ea
LB1449	DIV-2/NEC WARNING LABEL	1.000 ea
NP4566	SS INV IEEE841-2021,CLI DIV2,CURUS-E,CSA	1.000 ea
418185012FL	B/BRG ANGULAR SET - 360	1.000 pr
035051010AA	BBLCW W-10	1.000 ea
085922099PA	BRKT 360 087793066WCC	1.000 ea
415072001B	CLAMP	1.000 ea
078559035AA	F/C 360 078559035WCC	1.000 ea
034180008FA	KEY 3/8X3/8X1L - 320	1.000 ea
702675001A	FAN 250-440	1.000 ea
004824015A	GREASE POLYREX EM	0.540 lb
032018016DK	HHCS 1/2-13X2L PLTD.	4.000 ea
032018010CK	HHCS 3/8-16X1-1/4 PLTD. 032018010CR	4.000 ea
032018030CK	HHCS 3/8-16X3-3/4 PLATED	3.000 ea
415096002A	CPLG 1/8 HEX TYPE	1.000 ea
034630002AB	CPLG 1/4" PLATED	1.000 ea
423709011C	WASHER	3.000 ea
035000001G	GREASE RELIEF FITTING, ALEMITE 317400	1.000 ea
034017014AB	LCKW 3/8 STD. PLATED	4.000 ea
034530052AB	P/NIP 1/8X6-1/2 Zinc	1.000 ea
034530016BC	P/NIP 1/4X2 GALV. - 320	1.000 ea
415028014C	SEAL - 360	1.000 ea
034690001AB	1/8" NPT SQHDPLG	1.000 ea
034600001AA	BUSH 1/4TO1/8 BLACK	1.000 ea

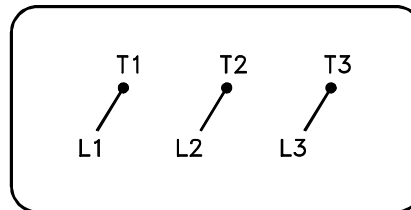
034600001AA	BUSH 1/4TO1/8 BLACK	1.000 ea
089495012BM	E360 P/BASE BRKT 6313 BRG TEFC- FIN TURN	1.000 ea
032018012DK	HHCS 1/2-13X1-1/2 PLTD. 032018012DR	4.000 ea
032018030CK	HHCS 3/8-16X3-3/4 PLATED	3.000 ea
412118006A	DRAIN	2.000 ea
423709011C	WASHER	3.000 ea
410700004F	WSHR	1.000 ea
034530036BB	P/NIP 1/4X4-1/2 GALV.	1.000 ea
034630002AB	CPLG 1/4" PLATED	1.000 ea
415028079E	INPRO SEAL,.625 WIDE,313 BRG	1.000 ea
035000001G	GREASE RELIEF FITTING, ALEMITE 317400	1.000 ea
076708000BB	CONDUIT BOX-360	1.000 ea
415039016A	TERBD, 360-400	1.000 ea
076709000A	C/B Cover - 360	1.000 ea
067053000B	GASK 320-400	1.000 ea
418150003A	GREASE FITTING CAP	1.000 ea
032018010CK	HHCS 3/8-16X1-1/4 PLTD. 032018010CR	4.000 ea
032018022CK	HHCS 3/8-16X2-3/4 PLTD	4.000 ea
405851012AN	SPACE	4.000 ea
702641041A	D/CVR 360 SUB PAINT	1.000 ea
034017014AB	LCKW 3/8 STD. PLATED	4.000 ea
035000001A	ALFTG 1/8" 1610-BL	1.000 ea
415000115H	T/LUG #2AWG-4/0AWG	1.000 ea
033512008LB	HHTTS 1/4-20X1 PLATED	4.000 ea
032018005DL	1/2-13 X 5/8 SILICON BRONZE HHCS	1.000 ea
034000014AB	WSH ID.406 OD.812 TH.065	4.000 ea
035000001A	ALFTG 1/8" 1610-BL	1.000 ea
034000014AB	WSH ID.406 OD.812 TH.065	4.000 ea
418150003A	GREASE FITTING CAP	1.000 ea
MG1025N19	WILKO 778.50 BLUE GREEN - 55 GAL DRUMS	0.250 ga
033775004EA	DRSCR #6-1/4 304 S.S.	4.000 ea
609013011C	LFT/P - 360	2.000 ea
032018012EK	HHCS 5/8-11X1-1/2L PLTD.	4.000 ea
034017018AB	5/8 MED LOCK WASHER ZP (034017018AF)	4.000 ea

034180024FA	KEY 3/8X3/8X3 L	1.000 ea
034017018AB	5/8 MED LOCK WASHER ZP (034017018AF)	2.000 ea
14PA1000	PACKAGING 314 GROUP COMBINED PRINT	1.000 ea
033102018AG	NUT 5/8-11 PLATED	2.000 ea
032018012EK	HHCS 5/8-11X1-1/2L PLTD.	2.000 ea
415038030	BANDING - SIGNODE	9.000 lb
604797064C	2"X4"-24"	2.000 ea
604797064C	2"X4"-24"	1.000 ea
604797064C	2"X4"-24"	1.000 ea
604797064C	2"X4"-24"	1.000 ea
415038031	SLEEVE, BANDING	9.000 ft
415038028A	BLOCK,SHIPPING	1.000 ea
415038028B	BLOCK,SHIPPING	1.000 ea
415038032A	SILICON PAPER	1.000 ea
418151063	SL HEX WSH HD TYPE A TAPP	4.000 ea



416820-036

A-C MOTOR
CONNECTION DIAGRAM
STANDARD 3 LEAD CONNECTED



(N.P. 1575-BA)

416820-036

REV. DESC: LOADED TO BUS, C/R 335225		
REV. LTR: -	VERSION: 00	TDR: 000000538207
FILE: \MGA\00000\682	REVISED: 11: 54: 06 04/30/2010	
MTL: -	BY: RAGRA	

BALDOR

CONN DIAG - STANDARD 3 LEAD
SH 1 of 1