



---

# Customer information packet

## WDNMM3546-4

.75KW, 1700RPM, 3PH, 60HZ, D80, 3436M, TENV, B3

Class - None

Division - Not Applicable

## Specifications

Enclosure	TENV
Frame	D80
Frame Material	Steel
Frequency	60.00 Hz
Haz Area Class and Group	None
Haz Area Division	Not Applicable
Motor Letter Type	Three Phase
Output @ Frequency	.750 KW @ 60 HZ
Phase	3
Synchronous Speed @ Frequency	1800 RPM @ 60 HZ
Voltage @ Frequency	460.0 V @ 60 HZ
Agency Approvals	UR CSA
Ambient Temperature	40 °C
Auxillary Box	No Auxillary Box
Auxillary Box Lead Termination	None
Base Indicator	Rigid
Bearing Grease Type	Polyrex EM (-20F +300F)
Blower	None
Current @ Voltage	1.500 A @ 460.0 V
Design Code	D
Drip Cover	No Drip Cover
Duty Rating	CONT
Efficiency @ 100% Load	75.5 %
Electrically Isolated Bearing	Not Electrically Isolated
Feedback Device	NO FEEDBACK
Frame Prefix	D
Front Face Code	Standard
Front Shaft Indicator	None
Heater Indicator	No Heater
High Voltage Full Load Amps	1.5 a
Insulation Class	F

## Part detail

Revision	N
Type	AC
Mech. spec.	34M821
Base	
Status	PRD/A
Elec. spec.	34WGR446
Layout	34LYM821
Eff. date	04-23-2021
CD Diagram	CD0006
Poles	04
Leads	3#18 Y
Proprietary	False
Created date	05-18-2016

Inverter Code	Not Inverter
KVA Code	K
Lifting Lugs	No Lifting Lugs
Locked Bearing Indicator	No Locked Bearing
Motor Lead Exit	Ko Box
Motor Lead Quantity/Wire Size	3 @ 18 AWG
Motor Lead Termination	Flying Leads
Motor Standards	IEC
Motor Type	3436M
Mounting Arrangement	B3
Number of Poles	4
Overall Length	12.00 IN
Power Factor	79
Product Family	Wash Down
Pulley End Bearing Type	Sealed Bearing
Pulley Face Code	Standard
Pulley Shaft Indicator	Standard
Rodent Screen	None
RoHS Status	ROHS COMPLIANT
Service Factor	1.00
Shaft Diameter	0.748 IN
Shaft Extension Location	Pulley End
Shaft Ground Indicator	No Shaft Grounding
Shaft Rotation	Reversible
Shaft Slinger Indicator	Shaft Slinger
Speed	1700 rpm
Speed Code	Single Speed
Starting Method	Direct on line
Thermal Device - Bearing	None
Thermal Device - Winding	None
Vibration Sensor Indicator	No Vibration Sensor
Winding Thermal 1	None
Winding Thermal 2	None

**Nameplate**

<b>NP1575L</b>	
<b>CAT.NO.</b>	WDNMM3546-4
<b>SPEC.</b>	34M821R446G1
<b>IEC FRAME</b>	D80
<b>K.W.</b>	.75 TE
<b>VOLTS</b>	460
<b>AMP</b>	1.5
<b>RPM</b>	1700
<b>I.P.</b>	
<b>HZ</b>	60
<b>PH</b>	3
<b>CL</b>	F
<b>SER.F.</b>	1.00
<b>DES</b>	D
<b>CODE</b>	K
<b>NEMA-NOM-EFF</b>	75.5
<b>PF</b>	79
<b>RATING</b>	40C AMB-CONT
<b>CC</b>	USABLE AT 208V N/A
<b>DE</b>	6205 ODE 6203
<b>SER. #</b>	

## Parts list

Part number	Description	Quantity
SA321211	SA 34M821R446G1	1.000 ea
RA308963	RA 34M821R446G1	1.000 ea
NS2512A01	INSULATOR, CONDUIT BOX X	1.000 ea
34CB1000A15W	COND BOX, METRIC M20 X 1.5 TAP W/WHITE P	1.000 ea
34GS1015	GASKET, CONDUIT BOX	1.000 ea
51XB1016A07	10-16 X 7/16 HXWSSLD SERTYB	2.000 ea
11XW1032G06	10-32 X .38, TAPTITE II, HEX WSHR SLTD U	1.000 ea
34EP3100A112W	FR ENDPLATE, MACH (HOSE DOWN) WHITE EPOX	1.000 ea
HW4032A01	BLACK DRAIN PLUG FOR WASH DOWN MOTORS	3.000 ea
HW5100A03	WAVY WASHER (W1543-017)	1.000 ea
34EP3904T10W	SPL FACE MTD ENDPLATE 56 MODEL 34-ENCL	1.000 ea
HW4606A02	JM CLIPPER/SEAL (LWE-0938-1624-AL23)	1.000 ea
HW4032A01	BLACK DRAIN PLUG FOR WASH DOWN MOTORS	3.000 ea
XY1032S02	10-32 HEX NUT R.H. S STL	4.000 ea
34CB4512W	CB LID W/WHITE POWDER COAT	1.000 ea
34GS1016	GASKET, CONDUIT BOX LID	1.000 ea
59XW0832S07	TAPTITE II,HEX WSHR UNSLTD SER,410 S.S.,	4.000 ea
HW2504E10	KEY, 6 MM X 1.000	1.000 ea
HA7000A11	KEY RETAINER 0.750 DIA SHAFTS	1.000 ea
MJ5001A27	32220KN GRAY SEALER *MIN BUY 4 QTS=1GAL	0.001 qt
LB1164	LABEL,WARNING AND DRAIN	1.000 ea
HA5027A01	HA4066A01 T-DRAIN X2 BAGGED	1.000 ea
HW3001B02	BRASS CUP WASHER W/GROUND SYMBOL TAB,	1.000 ea
MG1500Y02	WILKOPON PRIMER YELLOW	0.014 ga
85XU0407S04	4X1/4 U DRIVE PIN STAINLESS	2.000 ea
MG1025W01	WILKOFAS, 781.01, SIGNAL WHITE #9003	0.014 ga
HA3100S27	THRUBOLT 10-32 X 9.625 SS TDR #23687	4.000 ea
MN416A01	TAG-INSTAL-MAINT no wire (2500bx)4/22	1.000 ea
NP1575L	SS IEC WD UL CSA CC REV MTG	1.000 ea
35PA1066	PKG GRP, PRINT PK1008A06	1.000 ea
HA1025A13	WSHR,FELT,.38" THICK F-26 CLASS	1.000 ea

MJ5000A09

EFI KIT #1578 (400 ML CARTRIDGE OF EFI

---

0.050 ea

**AC Induction Motor Performance Data**

Record # 58192

Typical performance - not guaranteed values

<b>Winding:</b> 34WGR446-R001		<b>Type:</b> 3436M		<b>Enclosure:</b> TENV	
<b>Nameplate Data</b>			<b>460 V, 60 Hz: Single Voltage Motor</b>		
<b>Rated Output (KW)</b>	.75	<b>Full Load Torque</b>	3.098 LB-FT		
<b>Volts</b>	460	<b>Start Configuration</b>	direct on line		
<b>Full Load Amps</b>	1.5	<b>Breakdown Torque</b>	9.71 LB-FT		
<b>R.P.M.</b>	1700	<b>Pull-up Torque</b>	8.32 LB-FT		
<b>Hz</b>	60	<b>Locked-rotor Torque</b>	12.83 LB-FT		
<b>NEMA Design Code</b>	D	<b>Starting Current</b>	10.99 A		
<b>Service Factor (S.F.)</b>	1	<b>No-load Current</b>	0.902 A		
<b>NEMA Nom. Eff.</b>	75.5	<b>Line-line Res. @ 25°C</b>	14.1 Ω		
<b>Rating - Duty</b>	40C AMB-CONT	<b>Temp. Rise @ Rated Load</b>	105°C		
		<b>Locked-rotor Power Factor</b>	50		
		<b>Rotor inertia</b>	0.0857 LB-FT <sup>2</sup>		

**Load Characteristics 460 V, 60 Hz, 0.75 KW**

<b>% of Rated Load</b>	<b>25</b>	<b>50</b>	<b>75</b>	<b>100</b>	<b>125</b>	<b>150</b>
<b>Power Factor</b>	42	61	73	79	85	88
<b>Efficiency</b>	58.7	71.4	74.4	76.8	72.5	68.9
<b>Speed</b>	1773	1748	1721	1693	1651	1601
<b>Line amperes</b>	0.946	1.1	1.3	1.537	1.9	2.33

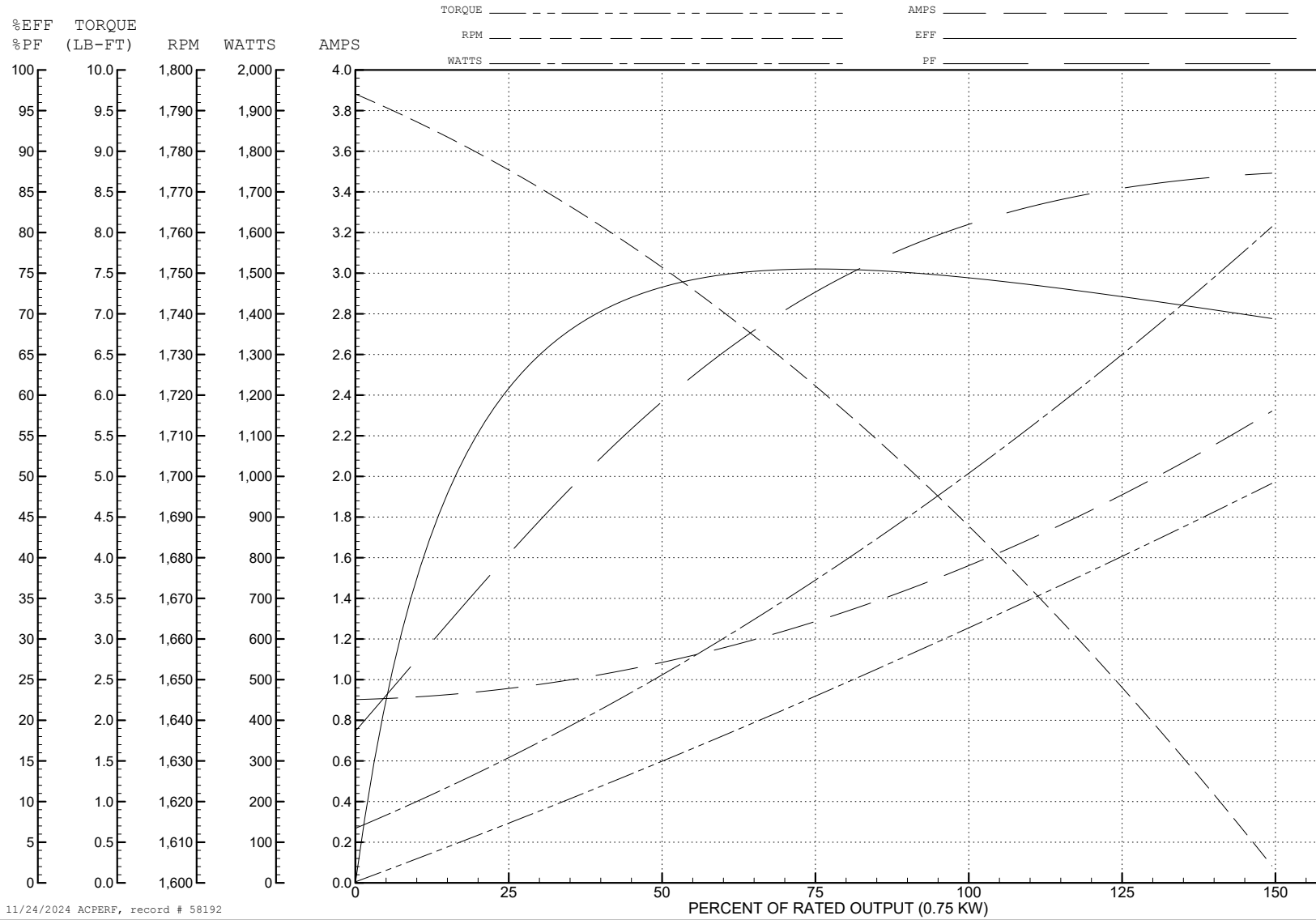
ABB Motors and Mechanical Inc.

WINDING # 34WGR446

0.75 KW 3 PH 60 HZ 1700 RPM 460 V 3436M

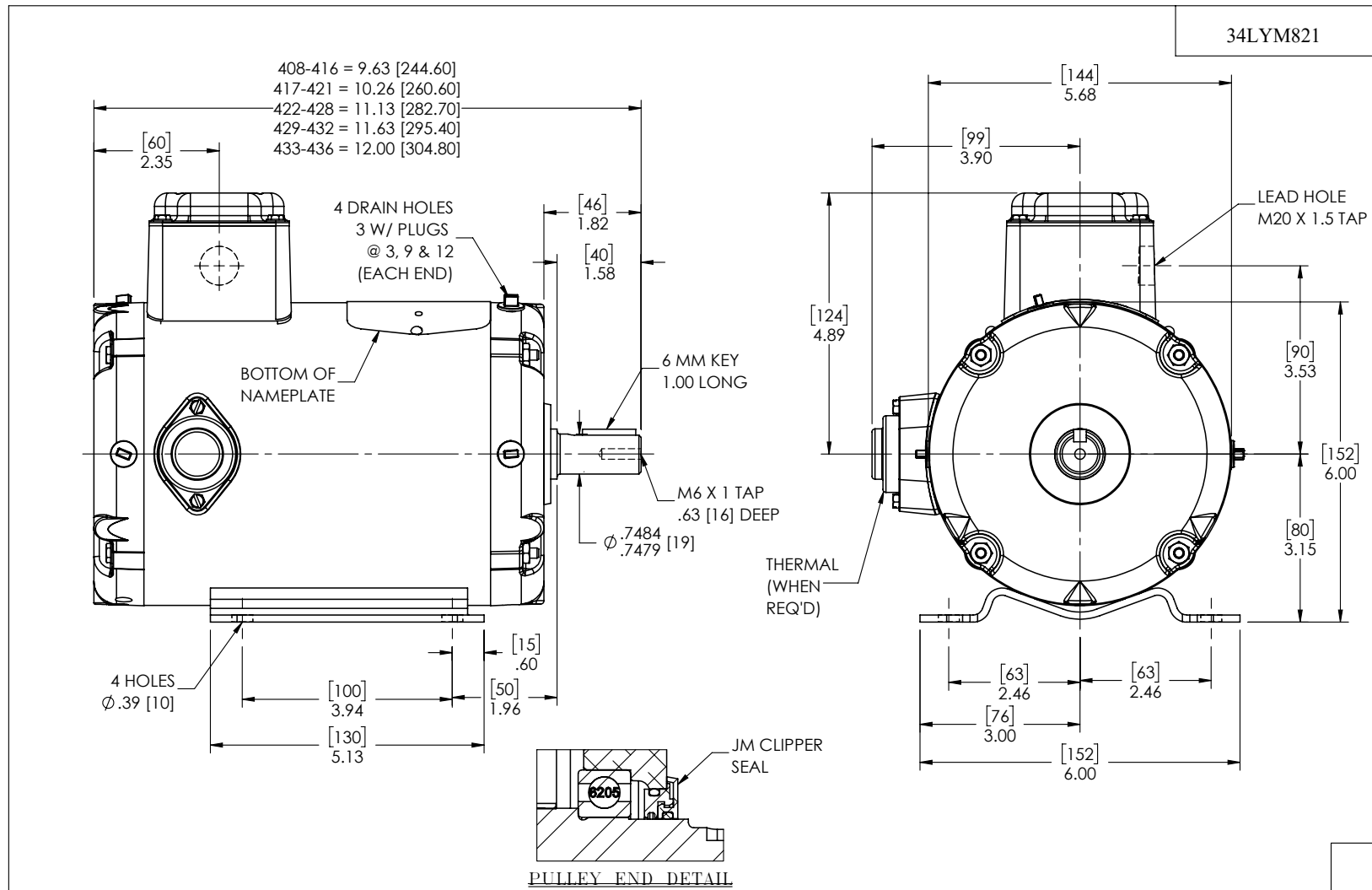
Typical performance - not guaranteed values.

TORQUES (LB-FT): PO=9.71 PU=8.32 LR=12.83 LRA=10.99



11/24/2024 ACPERF, record # 58192





34LYM821

34LYM821

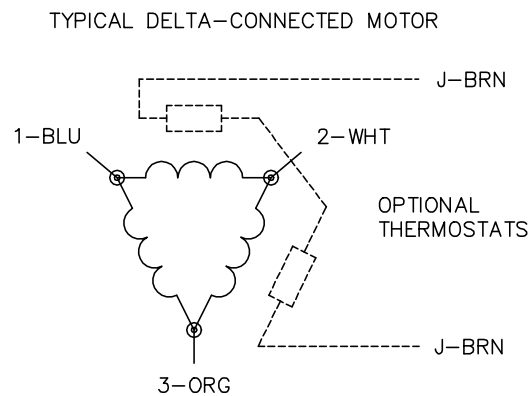
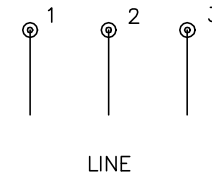
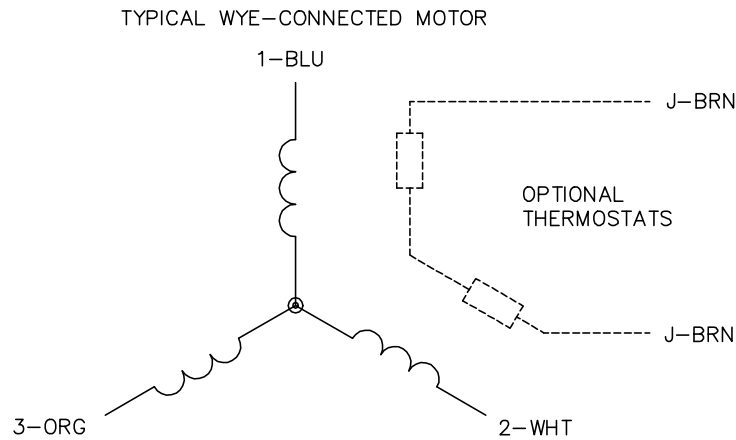
CUSTOMER IS RESPONSIBLE FOR DETERMINING THAT THE PRODUCT WILL PERFORM SUITABLY IN THE INTENDED APPLICATION

REV. DESC: LOAD TO SOLIDWORKS - REV C			
REV: D	VERSION: 04	REVISED: 10:01:08 05/01/2023	TDR: 000001201165
MODEL NO. 34LYM821		REF: -	
BY: ENFRAJ0			

**BALDOR - RELIANCE®**

HORZ 34M IEC D80 TENV, KOBX @ 12, WD S/P9, M6 X 1 TAP

CD0006



NOTES:

1. THREE LEAD MOTOR MAY BE EITHER WYE CONNECTED OR DELTA CONNECTED.
2. INTERCHANGE ANY TWO LINE LEADS TO REVERSE ROTATION.
3. OPTIONAL THERMOSTATS ARE PROVIDED WHEN SPECIFIED.
4. ACTUAL NUMBER OF INTERNAL PARALLEL CIRCUITS MAY VARY.
5. LEAD COLORS ARE OPTIONAL. LEADS MUST BE NUMBERED AS SHOWN.

CD0006

REV. DESC: ADD CLASS CONN00000007		
REV. LTR: E	VERSION: 01	TDR: 000001099922
FILE: \AAA\00005\141	REVISED: 10:24:49 02/19/2019	BY: ENBRIRO
MTL: -	© □	

**BALDOR - RELIANCE®**

3PH, SV, 3 LEADS, WYE OR DELTA CONNECTED

SH 1 of 1