

BALDOR® • RELIANCE™

Customer information packet

XT31004T

100HP, 1785RPM, 3PH, 60HZ, 405T, A40072M, TEFC

Class - CLI GP A,B,C,D

Division - Division II

Specifications

| | |
|-------------------------------|---|
| Enclosure | TEFC |
| Frame | 405T |
| Frame Material | Iron |
| Frequency | 60.00 Hz |
| Haz Area Class and Group | CLI GP A,B,C,D |
| Haz Area Division | Division II |
| Motor Letter Type | Three Phase |
| Output @ Frequency | 100.000 HP @ 60 HZ |
| Phase | 3 |
| Synchronous Speed @ Frequency | 1800 RPM @ 60 HZ |
| Voltage @ Frequency | 230.0 V @ 60 HZ 460.0 V @ 60 HZ |
| Agency Approvals | NEMA PREMIUM NEMA_PREMIUM UR CCSAUSEEV |
| Ambient Temperature | 40 °C |
| Auxillary Box | No Auxillary Box |
| Base Indicator | Rigid |
| Bearing Grease Type | Polyrex EM (-20F +300F) |
| Current @ Voltage | 114.000 A @ 460.0 V 228.000 A @ 230.0 V 249.000 A @ 208.0 V |
| Design Code | B |
| Drip Cover | No Drip Cover |
| Duty Rating | CONT |
| Efficiency @ 100% Load | 95.4 % |
| Feedback Device | NO FEEDBACK |
| Heater Indicator | No Heater |
| High Voltage Full Load Amps | 114.0 a |
| Insulation Class | F |
| Inverter Code | Inverter Ready |

Part detail

| | |
|--------------|------------|
| Revision | C |
| Type | AC |
| Mech. spec. | |
| Base | |
| Status | PRD/A |
| Elec. spec. | A40WG5245 |
| Layout | 617429-001 |
| Eff. date | 07-08-2024 |
| CD Diagram | 416820-002 |
| Poles | 04 |
| Leads | 3#2,6#4 |
| Proprietary | False |
| Created date | 12-02-2020 |

| | |
|--------------------------------------|--------------------|
| IP Rating | NONE |
| KVA Code | G |
| Max Speed | 3600 rpm |
| Motor Lead Quantity/Wire Size | 3 @ 2 AWG |
| Motor Standards | NEMA |
| Motor Type | A40072M |
| Mounting Arrangement | F1 |
| Number of Poles | 4 |
| Overall Length | 38.19 IN |
| Power Factor | 86 |
| Product Family | General Industrial |
| Pulley End Bearing Type | Ball |
| Pulley Face Code | Standard |
| Service Factor | 1.15 |
| Shaft Diameter | 2.875 IN |
| Shaft Ground Indicator | No Shaft Grounding |
| Shaft Rotation | Reversible |
| Shaft Slinger Indicator | Shaft Slinger |
| Speed | 1785 rpm |
| Speed Code | Single Speed |
| Starting Method | Direct on line |
| Thermal Device - Bearing | None |
| Thermal Device - Winding | None |

Nameplate

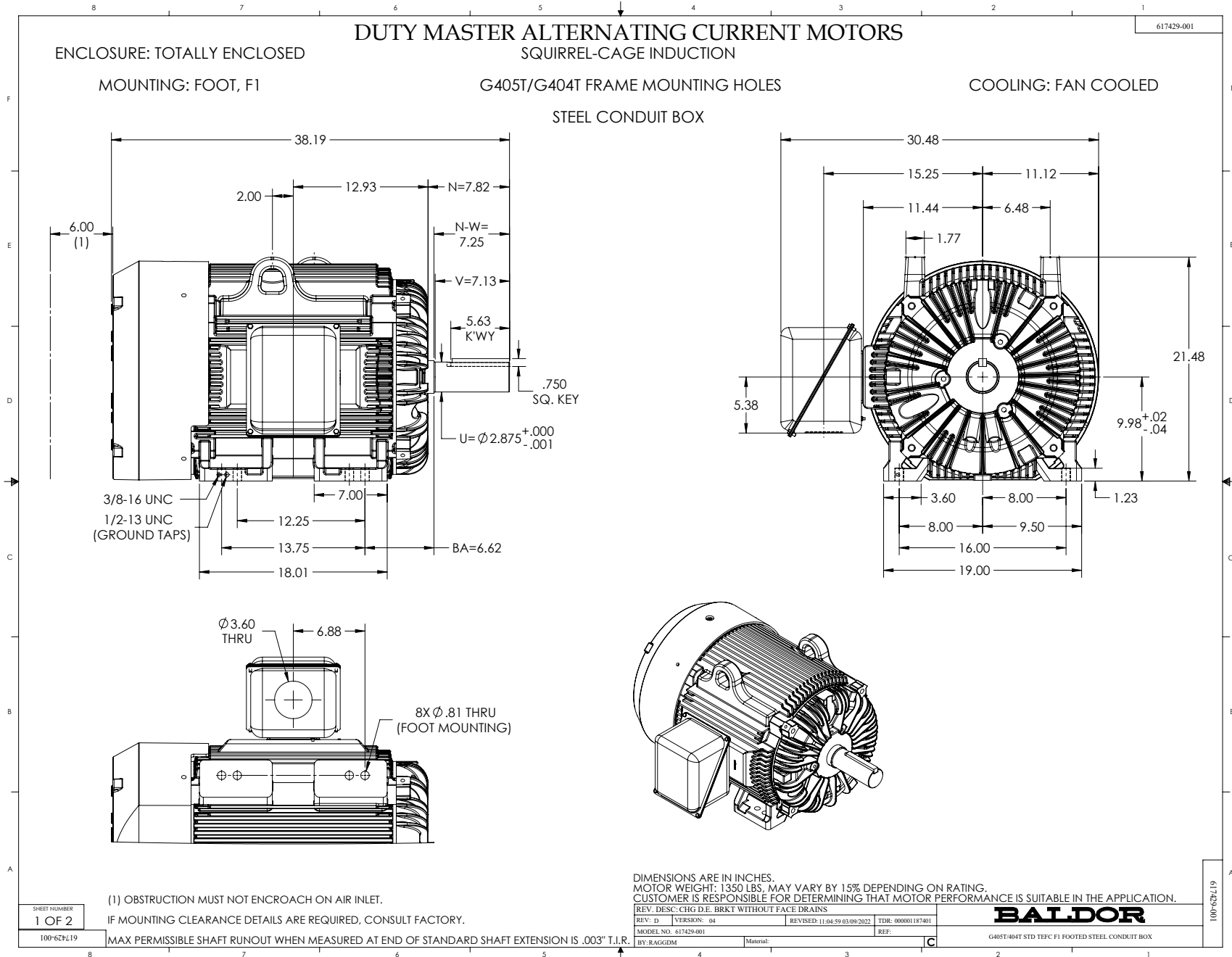
NP4152LUA

| | | | | | | | | | | | | | |
|--------------------------------|---------------|-----------|------------------|-----------------------------|--------------|----------------------|---------------|--------------------|------------|-----------|----------------------|-------|----------|
| CAT # | XT31004T | | | SER | | | | CC | 010A | | | | |
| SPEC | A40-0002-5245 | | | RATING | 40C AMB-CONT | | | | | | | | |
| HZ | VOLTS | | AMPS | | RPM | HP | CODE | SF | DES | PF | NEMA NOM. EFF | | |
| 60 | 230/460 | | 228/114 | | 1785 | 100 | G | 1.15 | B | 86 % | 95.4 % | | |
| | | | | | | | | | | % | % | | |
| PH | 3 | CL | F | MAX RPM | 3600 | MAX CORR KVAR | 20 | | | | | | |
| BRG | DE | 6316 | ODE | 6316 | ENCL | TEFC | FR | 405T | IP | 54 | | | |
| GREASE | POLYREX EM | | | | | | MTR WT | LBS | | | | | |
| CL I DIV 2 GRPS A,B,C,D | | | | CL I ZONE 2 GRPS | | | | IIA,IIB,IIC | | | TEMP T | 215 | C |
| INV READY | CT | 10-60 | HZ | 6:1 | VT | 0-60 | HZ | 1000:1 | CHP | 60-90 | HZ | 1:1.5 | |
| INV TEMP CL | T2D | C | USABLE AT | 50HZ 75HP 190/380V 208/104A | | | | | | 1.0SF | | | |
| SFA 260/130 | | | | | | | | | | | | | |

Parts list

| Part number | Description | Quantity |
|-------------|--|----------|
| SA388294 | SA A40-0002-5245 | 1.000 ea |
| RA378650 | RA A40-0002-5245 | 1.000 ea |
| 421948032 | LABEL, MYLAR | 1.000 ea |
| 000692000VD | LABEL WARNING | 1.000 ea |
| LB1449 | DIV-2/NEC WARNING LABEL | 1.000 ea |
| NP4152LUA | SS CP XT CLI DIV2 UR CSA-C US-EEV NEMA P | 1.000 ea |
| 412118006A | DRAIN | 2.000 ea |
| 034690005AB | PPLG 3/4 PLATED | 1.000 ea |
| 089412501A | BRKT FTMT G400 FIN MACH 6316 89412500WCA | 1.000 ea |
| 415072001B | CLAMP | 1.000 ea |
| 083198127A | G400 MOLDED FAN COVER | 1.000 ea |
| 034180012DA | KEY 1X4X1/4X1-1/2 L | 1.000 ea |
| 078548001R | FAN KB 234/150 (84) 400 | 1.000 ea |
| 004824015A | GREASE POLYREX EM | 0.880 lb |
| 032018020EK | HHCS 5/8-11X2-1/2 PLTD. | 4.000 ea |
| 032018008CK | HHCS 3/8-16X1L PLATED | 4.000 ea |
| 032018026CK | HHCS 3/8-16X3-1/4 PLTD. | 3.000 ea |
| 415096002A | CPLG 1/8 HEX TYPE | 1.000 ea |
| 034631002AB | BUSH 1/4 TO 1/8 PLTD. | 1.000 ea |
| 415045002B | SLGR | 1.000 ea |
| 410700000DA | WAVY SPRING WASHER | 1.000 ea |
| 035000001G | GREASE RELIEF FITTING, ALEMITE 317400 | 1.000 ea |
| 034001014AB | FLAT WASHER 3/8"PLATED | 4.000 ea |
| 034530056BB | P/NIP 1/4X7 SCHED 40 | 1.000 ea |
| 034530056AB | 1/8 X 7 PP NIPPLE | 1.000 ea |
| 089412501A | BRKT FTMT G400 FIN MACH 6316 89412500WCA | 1.000 ea |
| 032018020EK | HHCS 5/8-11X2-1/2 PLTD. | 4.000 ea |
| 032018026CK | HHCS 3/8-16X3-1/4 PLTD. | 3.000 ea |
| 415045002B | SLGR | 1.000 ea |
| 034530040BB | P/NIP 1/4X5 | 1.000 ea |
| 034530040AB | P/NIP 1/8X5 GALV. | 1.000 ea |

| | | |
|-------------|---------------------------------------|----------|
| 034631002AB | BUSH 1/4 TO 1/8 PLTD. | 1.000 ea |
| 415096002A | CPLG 1/8 HEX TYPE | 1.000 ea |
| 035000001G | GREASE RELIEF FITTING, ALEMITE 317400 | 1.000 ea |
| 077176000L | C/BOX, PAINTED 440 | 1.000 ea |
| 077176001A | CBOXC, PAINTED 360-400 | 1.000 ea |
| 043292000AJ | GASK 320-400 | 1.000 ea |
| 402731001A | GASK 360-440 | 1.000 ea |
| 418150003A | GREASE FITTING CAP | 1.000 ea |
| 032018005AK | HHCS 1/4-20X5/8 PLATED | 4.000 ea |
| 032018008CK | HHCS 3/8-16X1L PLATED | 4.000 ea |
| 035000001A | ALFTG 1/8" 1610-BL | 1.000 ea |
| 415000115H | T/LUG #2AWG-4/0AWG | 1.000 ea |
| 406099000A | PLUG - FAN COVER 320-440 | 1.000 ea |
| 032018005DL | 1/2-13 X 5/8 SILICON BRONZE HHCS | 1.000 ea |
| 035000001A | ALFTG 1/8" 1610-BL | 1.000 ea |
| 418150003A | GREASE FITTING CAP | 1.000 ea |
| MG1025L14 | WILKOFAS, 776.14, GRUNDFOS BLACK | 1.000 ga |
| 033775004EA | DRSCR #6-1/4 304 S.S. | 4.000 ea |
| 034180044JA | KEY 3/4X3/4X5-1/2 L | 1.000 ea |
| 604797045 | STD. 400 FRAME SKID | 1.000 ea |
| 032510024D | CARRIAGE BOLT - 444 | 2.000 ea |
| 034001014AB | FLAT WASHER 3/8"PLATED | 2.000 ea |
| 034001016AB | WSHR .562ID 1.375OD .109 | 2.000 ea |
| 033300014AC | HEX NUT, SHIPPING - 400 | 2.000 ea |
| 604799003C | PLASTIC BAG 42X32X46 | 1.000 ea |



617429-001

DUTY MASTER ALTERNATING CURRENT MOTORS
SQUIRREL-CAGE INDUCTION

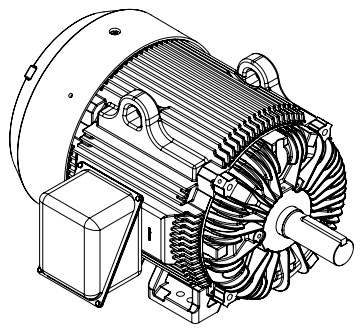
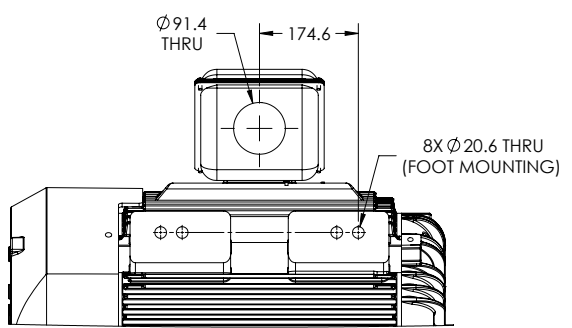
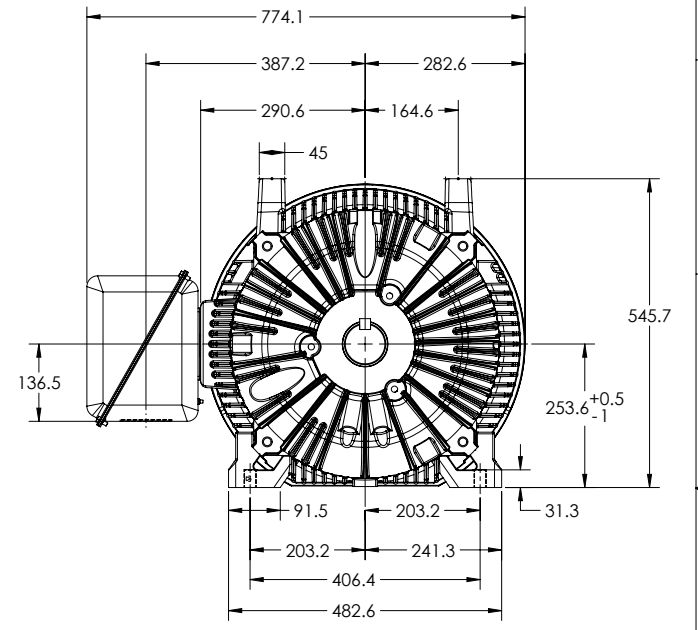
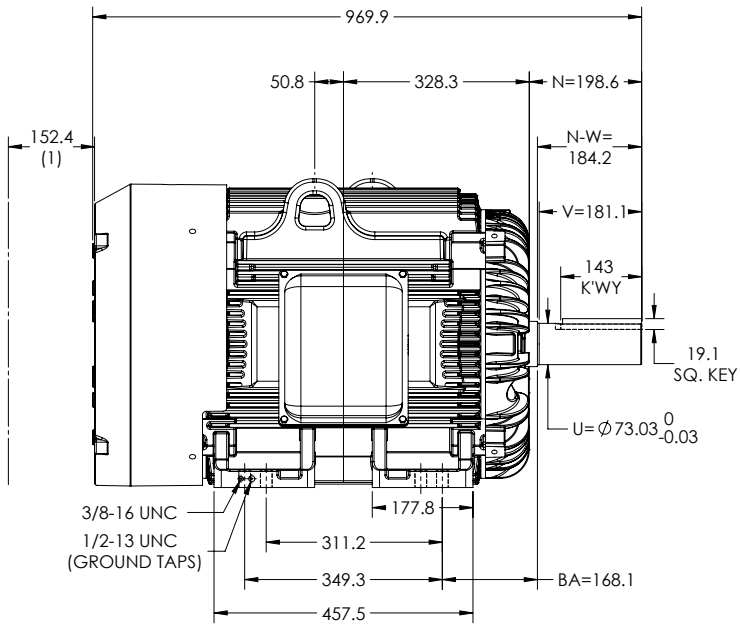
ENCLOSURE: TOTALLY ENCLOSED

MOUNTING: FOOT, F1

G405T/G404T FRAME MOUNTING HOLES

COOLING: FAN COOLED

STEEL CONDUIT BOX



(1) OBSTRUCTION MUST NOT ENCROACH ON AIR INLET.
IF MOUNTING CLEARANCE DETAILS ARE REQUIRED, CONSULT FACTORY.

DIMENSIONS ARE IN MILLIMETERS.
MOTOR WEIGHT: 612, MAY VARY BY 15% DEPENDING ON RATING.
CUSTOMER IS RESPONSIBLE FOR DETERMINING THAT MOTOR PERFORMANCE IS SUITABLE IN THE APPLICATION.

SHEET NUMBER
2 OF 2

MAX PERMISSIBLE SHAFT RUNOUT WHEN MEASURED AT END OF STANDARD SHAFT EXTENSION IS .08 T.I.R.

| | | | |
|----------------------|-------------|------------------------------|-------------------|
| REV: D | VERSION: 04 | REVISED: 11-04-59 03:09:2022 | TDR: 000001187401 |
| MODEL NO. 617429-001 | BY: RAGGDM | Material: | REF: |

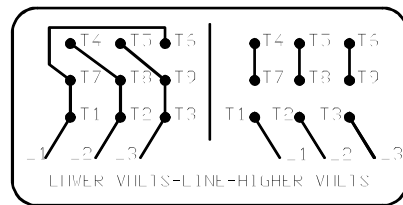
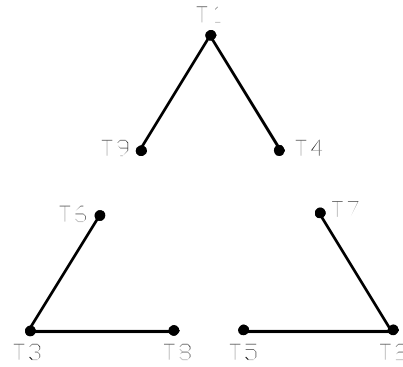
BALDOR

G405T-404T STD TEFC F1 FOOTED STEEL CONDUIT BOX

617429-001

416820-002

A-C MOTOR
 CONNECTION DIAGRAM
 STANDARD 9 LEAD DELTA-CONNECTED



(N.P. 1575-B)

416820-002

| | | |
|---|------------------------------|-------------------|
| REV. DESC: FONT CHANGE FOR PDF SEARCHABLE | | |
| REV. LTR: A | VERSION: 01 | TDR: 000001009382 |
| FILE: \MGA\00000\661 | REVISED: 02:46:19 02/13/2020 | BY: MGHMTT |
| MTL: - | © □ | |

BALDOR - RELIANCE®

CONN DIAG - STANDARD 9 LEAD, DELTA-CONNECTED

SH 1 of 1